



OPTIPAY™ BV *bill validator* DBV 300 SERIES

MANAGE YOUR CASH WITH THE OPTIPAY™ BV BILL VALIDATOR DBV 300 SERIES.

THE WORLD'S BANKNOTE HANDLING SOLUTION. AVAILABLE IN
UP OR DOWN STACKABLE CONFIGURATION FOR YOUR APPLICATION.



- E-STREAM SOFTWARE SUITE • INTERNAL DIAGNOSTICS
- OPTICAL AND MAGNETIC SENSORS
- HIGH SPEED 4-WAY ACCEPTANCE
- BAR CODE RECOGNITION • REMOVABLE CASH BOX
- INTELLIGENT TRI-COLOR LED FOR EASY FIELD DIAGNOSIS

POWER REQUIREMENTS

120VAC

34VDC (20-42.5)

24VAC

12VDC

CASH BOX CAPACITY

400 NOTES STANDARD

700 NOTES OPTIONAL

1000 NOTES OPTIONAL

WEIGHT

2.54 LB (1.15 KG)

CURRENCY ACCEPTED

US CURRENCY, 66MM

ANY CURRENCY BETWEEN 62 – 72 MM

SOFTWARE

MDB, NISR, ID-003, PULSED

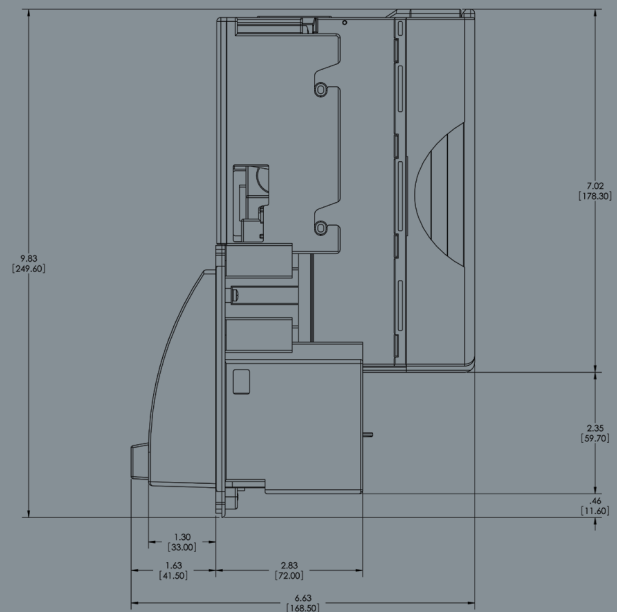
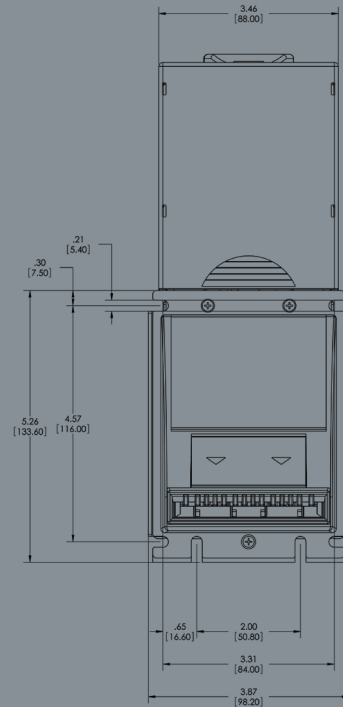
JCM SOFTWARE IS COPYRIGHTED

TO JCM AMERICAN CORP

TECHNICAL SUPPORT

TRAINING CLASSES ARE AVAILABLE FOR

ALL JCM PRODUCTS



925 PILOT ROAD • LAS VEGAS, NEVADA 89119
T 702.651.0000 • F 702.644.5512 • 800.683.7248
SALES@JCMGLOBAL.COM • WWW.JCMGLOBAL.COM

JCM and the JCM logo are registered trademarks of Japan Cash Machine Co., Ltd. and JCM American Corporation.
All other marks are registered trademarks of their respective owners. JCM reserves the right to change product specifications without notice.