



www.ictgroup.com.tw



XBA Bill Acceptor

Quick Start Guide

Before Starting

Dear Valued Customer, thank you for purchasing the XBA Bill Acceptor. The XBA comes equipped with innovative wide-angle banknote insertion technology to offer superior acceptance rate of 98% or higher. With outstanding design, the XBA has the ability to provide a very high degree of resistance to strong ambient light as well as advanced optical and mechanical anti-fishing structure for better investment protection. The built-in USB port allows for convenient firmware upgrades via an USB flash drive.

Before installation, please check that the package contents of the XBA bill acceptor are as listed below:

- ◆ XBA Bill Acceptor
- ◆ WEL-RS7P02 Power and Data Communication cable
- ◆ Bill insertion bezel sticker
- ◆ DIP switch setting guide
- ◆ Quick Start Guide

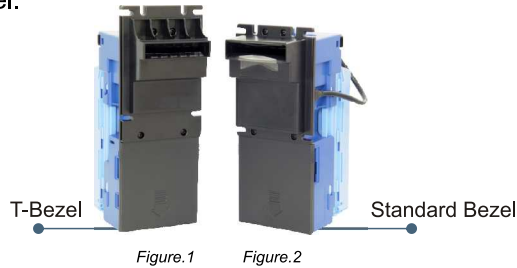
Should you have further questions,
XBA Bill Acceptor Installation & Service Manual can be downloaded at:
www.ictgroup.com.tw

Select “Support” from menu, then click “Manual Download”.

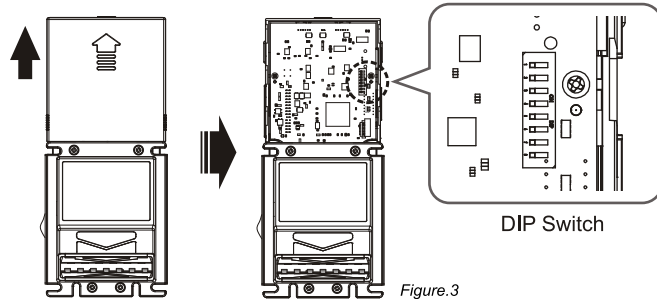
Start Installation

STEP 1: Confirm the bezel type

There are two types of bezels based on the vending machine requirements. Be sure to choose the bezel you need before ordering/ installation as each bill acceptor comes with only ONE bezel.



STEP 2: Select interface



Interface	SW6	SW7	SW8
Pulse	ON		
MDB	OFF	OFF	OFF
RS-232(ICT-002 Protocol)	OFF	OFF	ON
RS-232(ICT-104V Protocol)	OFF	ON	ON

Table.1

Note: Please select RS-232 interface(ICT-104V) if you choose to connect the XBA through an ICT coin changer.

STEP 3: Prepare the connection cable

We provide the cables for MDB, RS-232(ICT Protocol) and PULSE interfaces. Each bill acceptor comes with ONE cable only. Please select the one you need to connect.

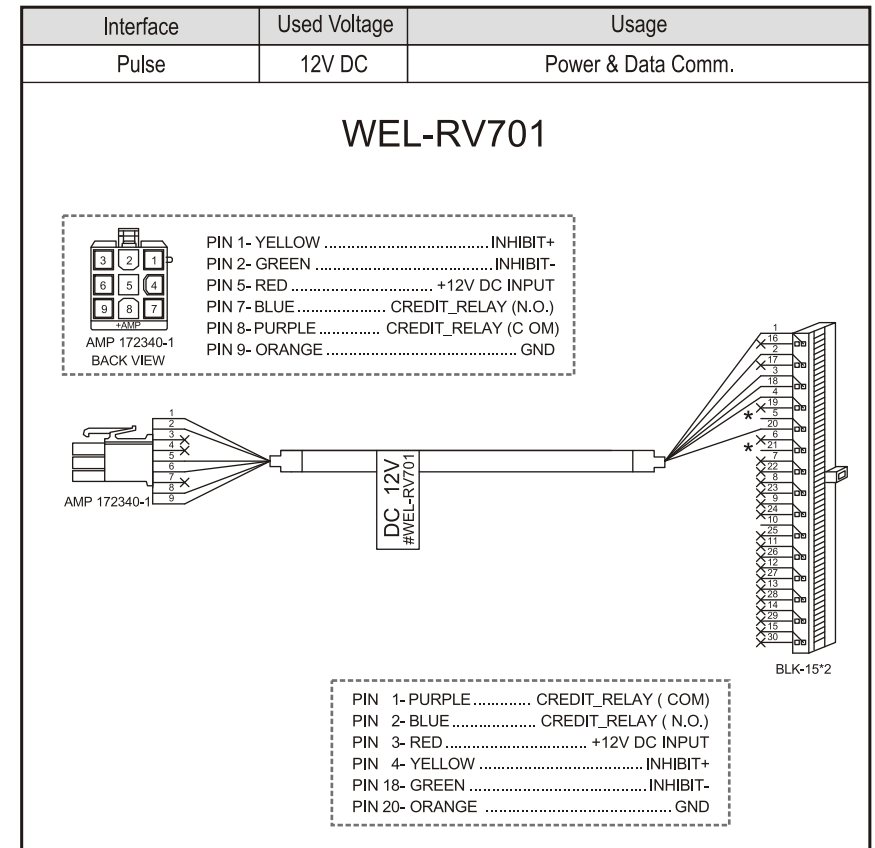


Figure.4

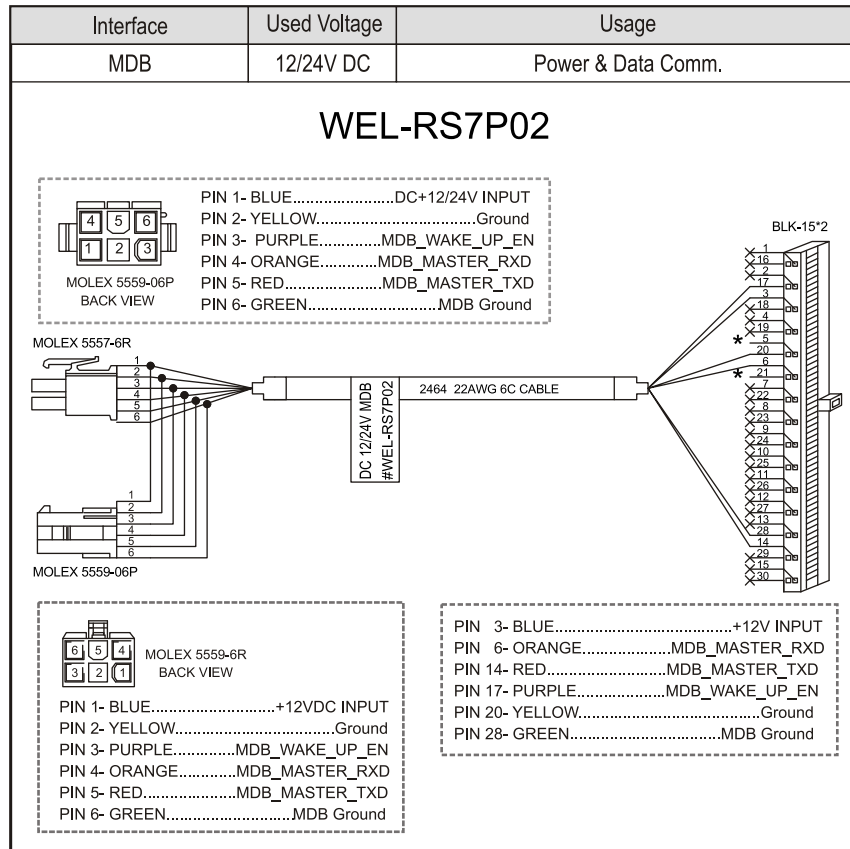


Figure.5

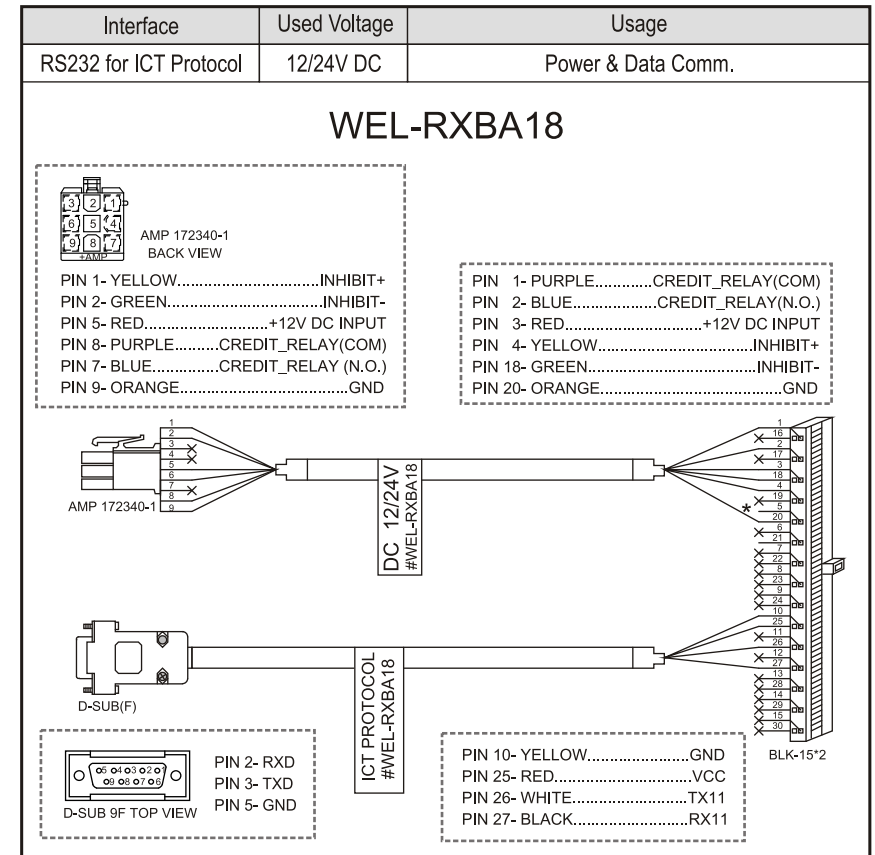


Figure.6

Note: Please select MDB: WEL-RS7P02 cable if you choose to connect the XBA through an ICT coin changer.

STEP 4: Configure the power-saving function

If your control board provides a sleep and wake-up feature (for example a battery-powered vending machine), then it can function with our power-saving mode to minimize power consumption while the machine is idle. This function allows your battery-powered machine to operate longer between chargings.

- Note:**
1. The wake-up function is triggered through PIN3 of the WEL-RS7P02 cable.
 2. Please do NOT select this mode if your VMC does not support sleep/wake-up feature. It may cause abnormal operation that affects the transaction.

Mode	SW3	SW4
No power-saving mode	OFF	OFF

Table.2

Mode 1	SW3	SW4
XBA wakes up by bill insertion and then wakes up VMC	OFF	ON

Table.3

Mode 2	SW3	SW4
XBA wakes up by VMC	ON	OFF

Table.4

Mode 1 + 2	SW3	SW4
XBA wakes up by bill insertion or VMC	ON	ON

Table.5

STEP 5: Power off the vending machine

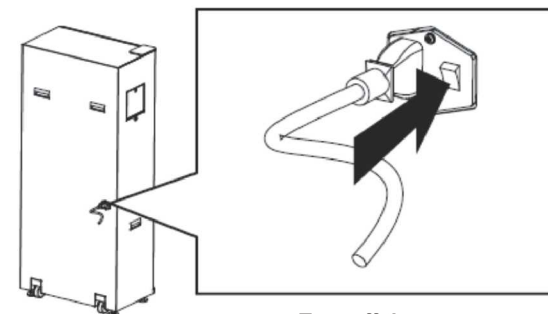


Figure.7

Turn off the power

STEP 6: Open the door and install the XBA on the vending machine

<T-Bezel>

Step 6-1.
Install the mounting frame on the vending machine and ensure it is secured.

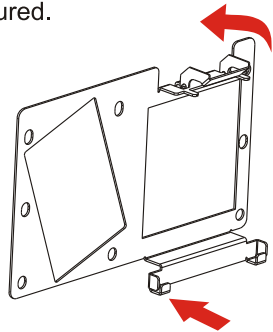


Figure.8

Step 6-2.
Hook up the cable with the XBA through the 30-pin connector.



Figure.9

Step 6-3.
Buckle the XBA to the mounting frame.

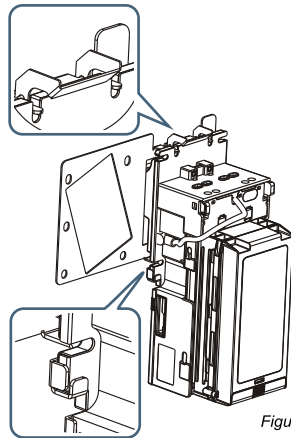


Figure.10

Step 6-4.
Connect the other end of the cable to VMC to complete the installation.



Figure.11

Note:
Please hook up the MOLEX 5557-6R connector of WEL-RS7P02 with the ICT coin changer cable if you choose to connect the XBA through it.

<Standard Bezel>

Step 6-1.
Install the mounting frame on the vending machine and ensure it is secured.

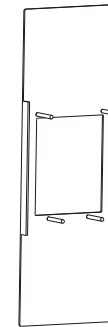


Figure.12

Step 6-2.
Hook up the cable to the XBA through the 30-pin connector.



Figure.13

Step 6-3.
Remove the cashbox, install the XBA on the mounting frame and then fasten the four screws.

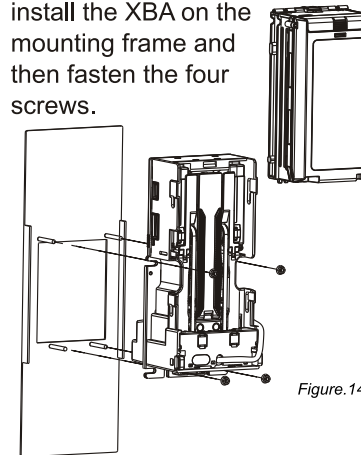


Figure.14

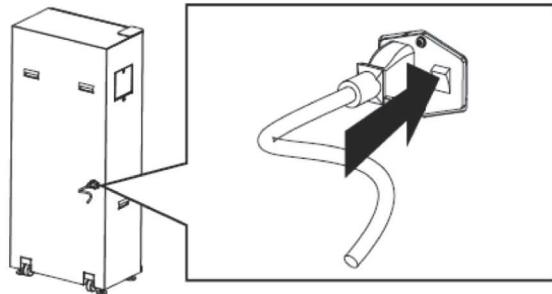
Step 6-4.
Install the cashbox and connect the other end of the cable to VMC to complete the installation.



Figure.15

Note:
Please hook up the MOLEX 5557-6R connector of WEL-RS7P02 with the ICT coin changer cable if you choose to connect the XBA through it.

STEP 7: Power on the vending machine

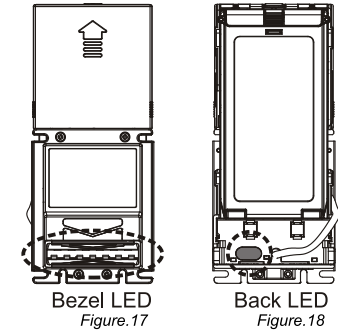


Close the door and power on

Figure.16

STEP 8: Check the bezel LED :

Green means the bill acceptor is functioning normally; if not please check the rear LED and refer to the chart below.



LED Flashes	Status	Corrective Actions
1	Bill jammed.	Remove the bill box by sliding the top button and the bill path, and then remove the jammed bill.
2	Disable.	Inspect for right DIP switch setting.
3	Recognition sensor error.	Inspect for foreign objects on sensor or bill path and clean.
3+2	Hook sensor error.	Inspect for foreign objects on security hook and clean.
3+4 (Optional)	Out sensor error.	Inspect for foreign objects on sensor or bill path and clean.
4	Anti-string sensor error or a stringing attempt has detected.	Inspect for foreign objects on sensor or bill path and clean.
5	Bill box has been removed.	Replace the bill box.
6	Stacker error or stacker full.	Empty the bill box.
7	Motor error.	Inspect for foreign objects on bill path and clean.

Table.6

STEP 9: Transaction testing

Insert bills of each accepted denomination, check if they are accepted and stored into the cashbox. If any problem occurs, please refer to the troubleshooting section in the service manual or contact local ICT distributor.

Note: Please refer to the provided DIP switch setting guide to configure more options if necessary.