

P70 P77 P85

Series

Bill Validator Installation Guide

- Ultimate acceptance rates .
- Superior security.
- Fast , efficient bill handling .
- Combines the bill handling and the advanced bill recognition system to increase acceptance rates and reduce jams .
- Easy to remove/open /clean acceptor .
- Auto self - adjusting sensor system
- Quick to update software (flash ROM).
- 99.99% efficiency on Anti-String (fishing) feature.



International Currency Technologies

43010 Osgood Rd. Fremont, CA 94539

Tel : (510) 353-0289

Fax : (510) 353-0399

E-mail : sales@ict-america.com

Website : www.ict-america.com

Use of Materials Limitations

International Currency Technologies Corporation (ICT) all rights reserved.

All materials contained are the copyrighted property of ICT.

All trademarks, service marks, and trade names are proprietary to ICT.

ICT reserves the right at all times to disclose or to modify any information as ICT deems necessary to satisfy any applicable law, regulation, legal process or governmental request, or to edit, refuse to post or to remove any information or materials, in whole or in part, in ICT's sole discretion.

P70/P77/P85 Bill Validator Specifications

Acceptance Rate

96% or greater

Bill Insertion

4 - way Acceptance

Acceptance Speed

Approx. 2 seconds

Interfaces

Pulse . RS232

Weight

Approx. 1kg

Power

DC 12V ± 5%

Power Consumption

Standby Mode : 210mA

Operating Mode : 2 A

Motor Lock : 2.15 A

Environment Range

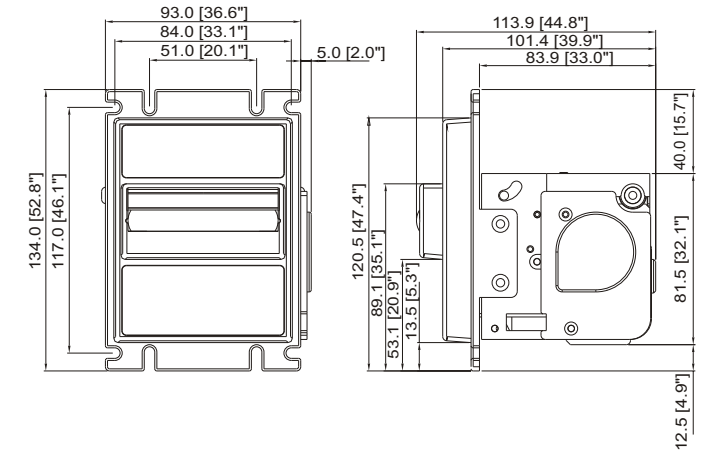
Operating temperature : 0°C~55°C

Storage temperature : -20°C~60°C

Humidity : 30%~85% RH
(no condensation)

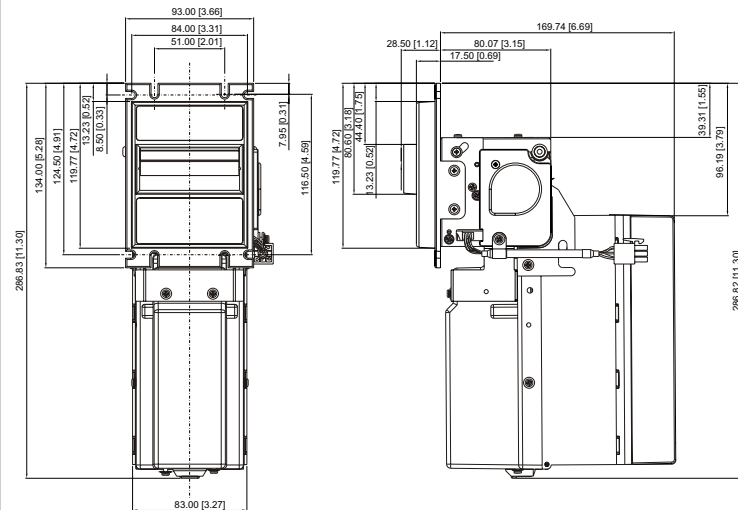
P70 Bill Validator Dimensions

P70 Bill width available 60mm~70mm.



Unit : mm [inch]

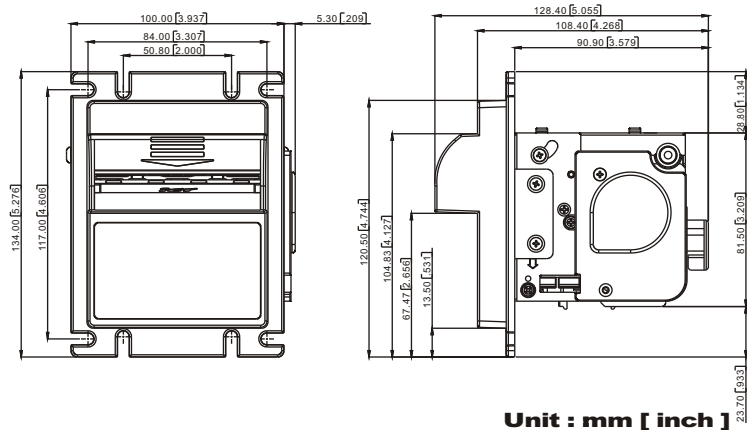
P70P5 PLASTIC STACKER (Approx. 500 Pieces)



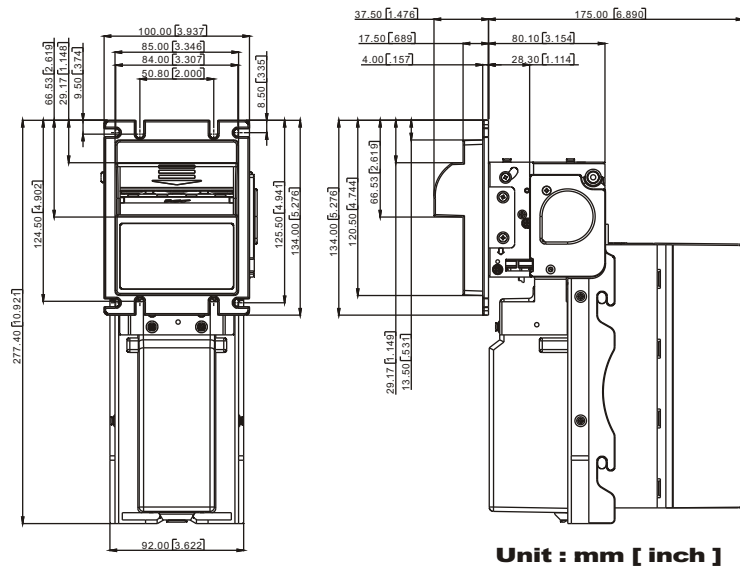
Unit : mm [inch]

P77 Bill Validator Dimensions

P77 Bill width available 60mm~77mm.

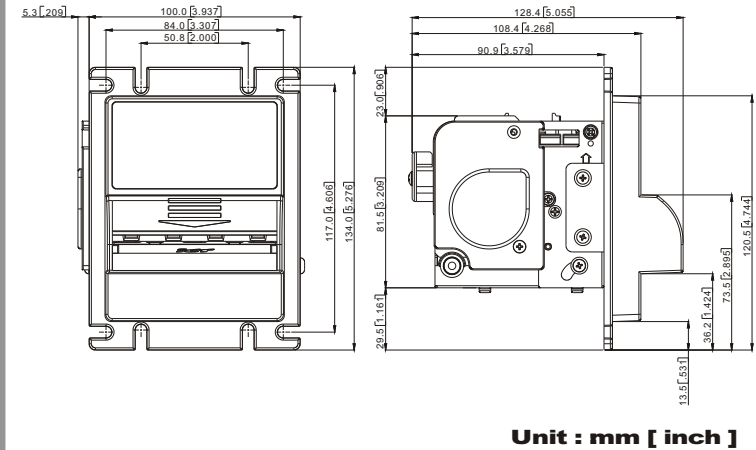


P77P5 PLASTIC STACKER (Approx. 500 Pieces)

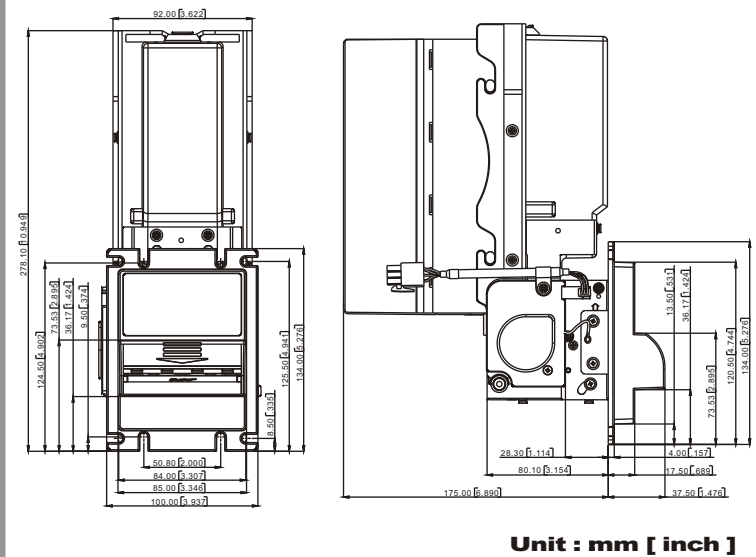


P77 Bill Validator Dimensions

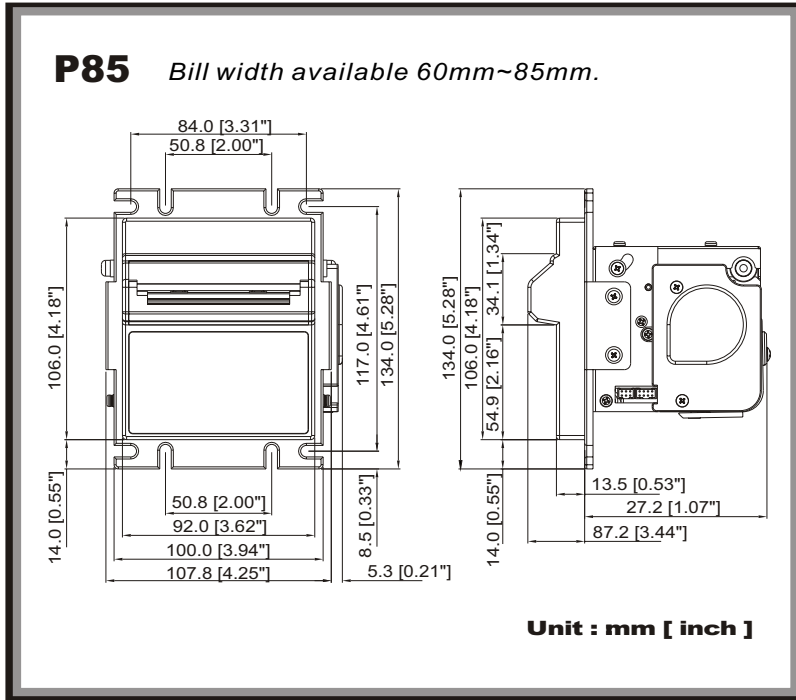
P77 Bill width available 60mm~77mm.



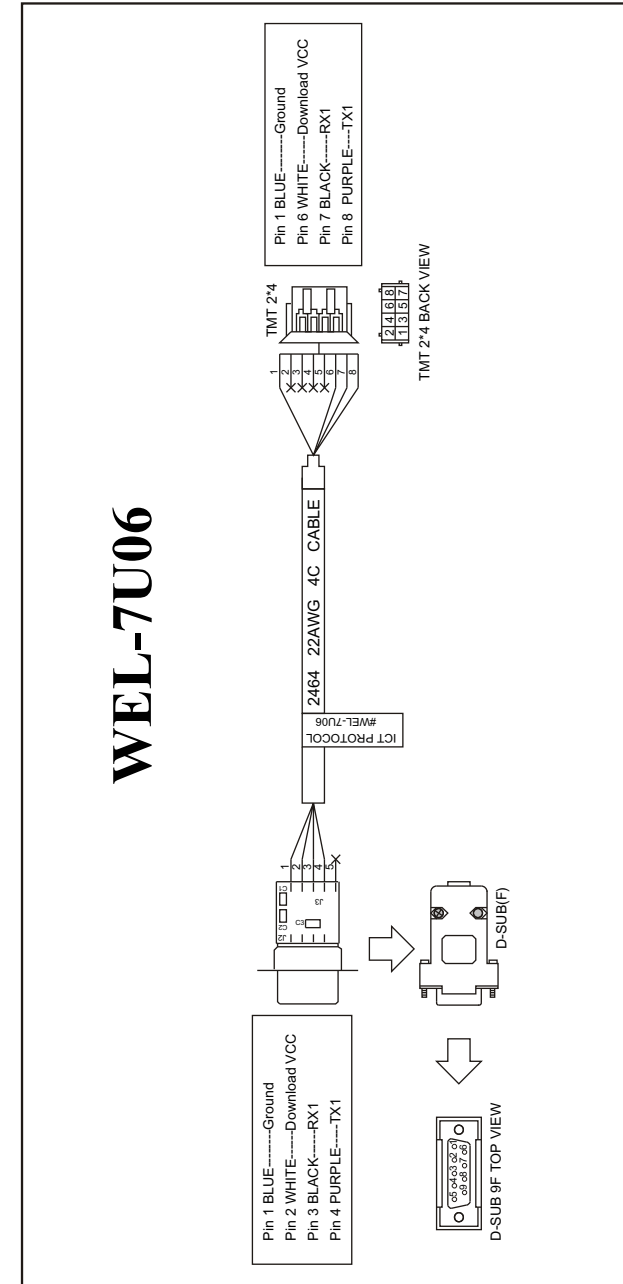
P77P5 PLASTIC STACKER (Approx. 500 Pieces)



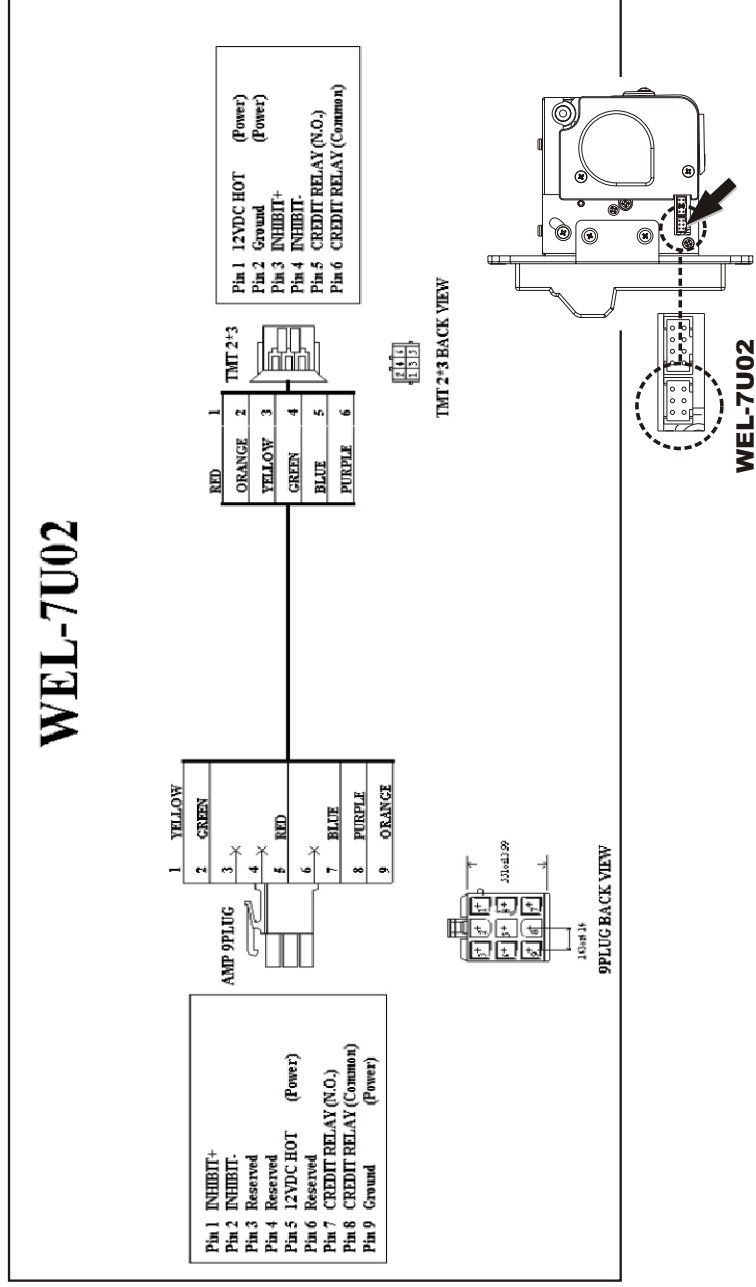
P85 Bill Validator Dimensions



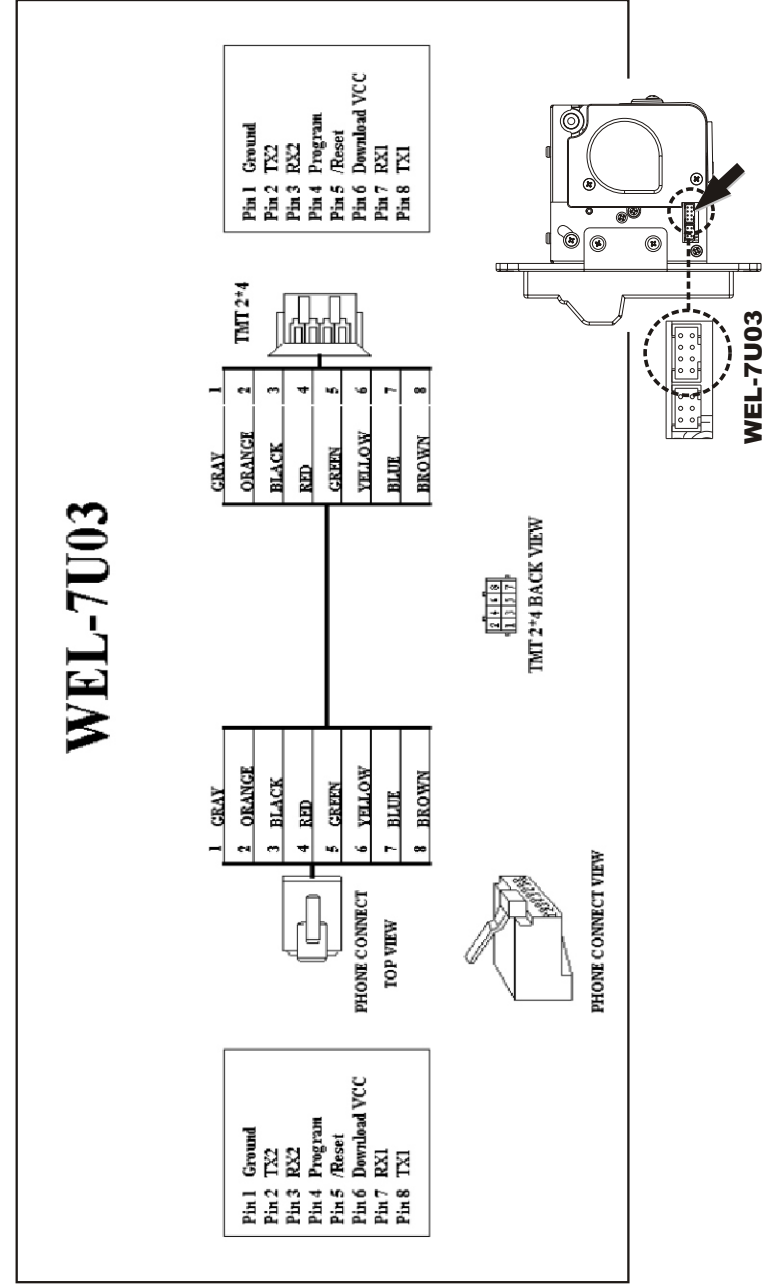
P70/P77/P85 ICT Protocol Harness



P70/P77/P85 Interface Harness



P70/P77/P85 Download Harness

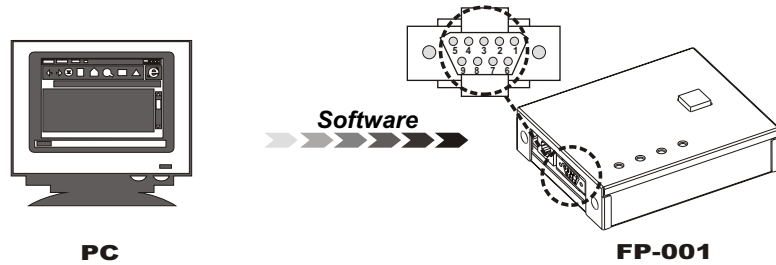


P70/P77/P85 Software update : through " FP-001" download box

Step 1 : Get software from "ICT" .

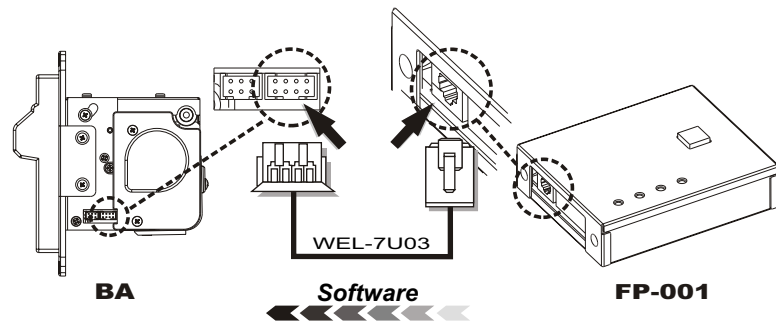


Step 2 : Download the software into "FP-001" by "PC" .



1. Please follow the downloading procedures described in FP-001's manual.

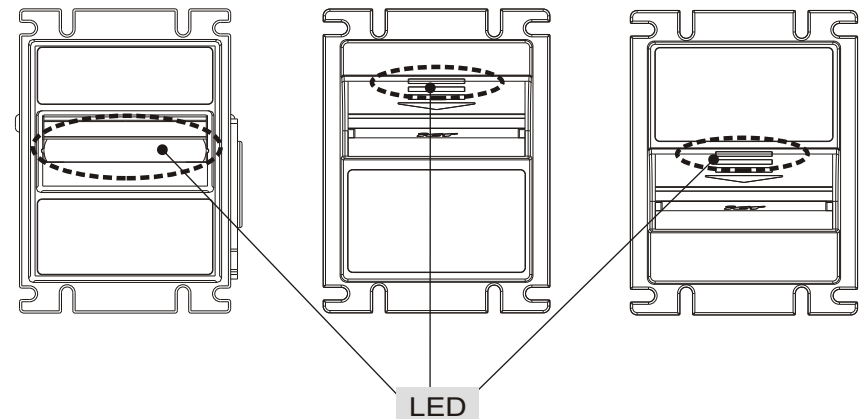
Step 3 : Download the software into "BA" by "FP-001" .



1. Please follow the downloading procedures described in FP-001's manual.
2. B.A. must be powered on when it is connected to FP-001.

P70/P77/P85 LED Status

FLASHES		STATUS
RED	1	Bill jammed
	2	Inhibit
	3	General sensor problem
	3+1	Special sensor problem
	3+2	Hook sensor problem
	3+4	Fish sensor problem
	4	Bill fish
	6	Stacker problem
	7	Motor problem
LED ON		POWER ON
LED OFF		POWER OFF

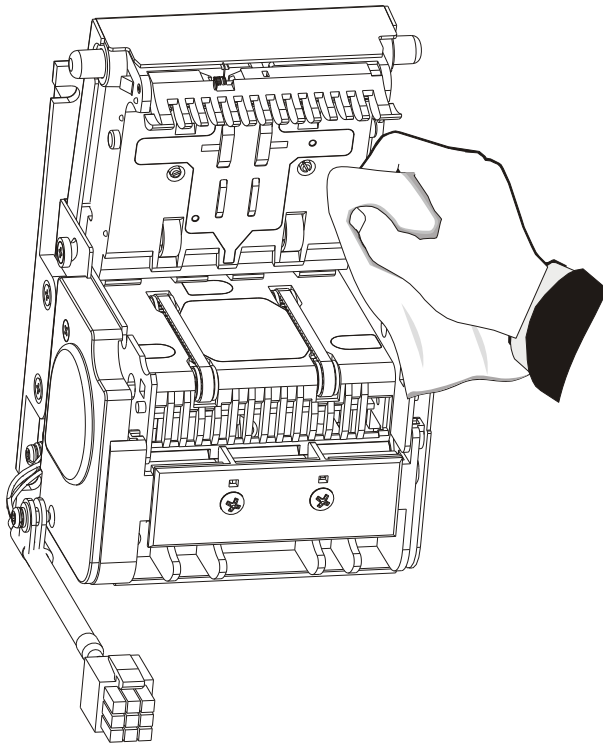


P70/P77/P85 Cleaning

Obstruction on LEDs and sensors may cause bill jam and decrease acceptance rate.

According to the environment around the bill acceptor, users should clean internal parts from every two weeks to every two months.

1. Turn off the power
2. Open LED Assembly.
3. Use a soft cloth or cotton swab to clean internal parts and bill path.



Never use an organic solvent such as gasoline or paint thinner to clean the unit.