





## *Contents*

1. Introduction .....	1
1-1. Overview .....	1
1-2. Features .....	1
2. Specifications .....	1
Common .....	1
Electrical .....	1
Mechanical .....	1
3. Packing List .....	2
4. Dimension .....	2
5. Installation .....	3
5-1. Harness Application .....	3
5-1-1. I/O Circuit .....	17
5-2. DIP Switch Setting .....	20
5-3. Software Download and Upgrade .....	20
6. Maintenance .....	21
7. Trouble Shooting .....	22

## **Use of Materials Limitations**

International Currency Technologies Corporation (ICT) all rights reserved.

All materials contained are the copyrighted property of ICT.

All trademarks, service marks, and trade names are proprietary to ICT.

ICT reserves the right at all times to disclose or to modify any information as ICT deems necessary to satisfy any applicable law, regulation, legal process or governmental request, or to edit, refuse to post or to remove any information or materials, in whole or in part, in ICT's sole discretion.

**ict** Taiwan

**International Currency Technologies Corporation**

Ji-Hong Building, No 24, Alley 38, Lane 91, Nei-hu Rd., Sec. 1,  
Taipei, Taiwan, R.O.C.

Tel: 886-2-2797-1238 Fax:886-2-2797-1634

sales@ictgroup.com.tw ( For Sales )

rma@ictgroup.com.tw ( For Customer service )

Website:www.ictgroup.com.tw

## 1. Introduction

### 1-1. Overview

A7/V7 Series is a bill acceptor which features not only high-security module with bill box but also outstanding recognition, acceptance rate up to 96% or even greater.

### 1-2. Features

- Four way bill insertion acceptance.
- Auto-calibrating.
- Numerous interfaces available.
- Easily Install & Maintain.

## 2. Specifications

### Common

#### Acceptance Rate

96% or greater

#### Identification Time

Approx. 3 seconds  
(From bill insert to stack.)

### Electrical

#### Power Source

**A7:** 12V DC± 5%    **V7:** 12V DC± 5%  
 117V AC±10%    24V AC±10%  
 34V DC± 5%

#### Power Consumption

50 watts maximum

### Mechanical

#### Outline Dimension

See Page.2

#### Weight

Approx. 1.25kg

### Interface

STD Pulse, 5V Enable  
 ICT Protocol, MDB

### Bill Insertion

Four-way acceptance

### Operation Environment

Operation Temperature: 0°C~55°C  
 Storage Temperature: -30°C~70°C  
 Humidity: 30%~85RH  
 (no condensation)

### Bill Capacity

Approx. 100 bills ( 80~120)  
 200 bills (200~300)  
 400 bills (350~450)  
 800 bills (750~850)

## 3. Packing List

### Main

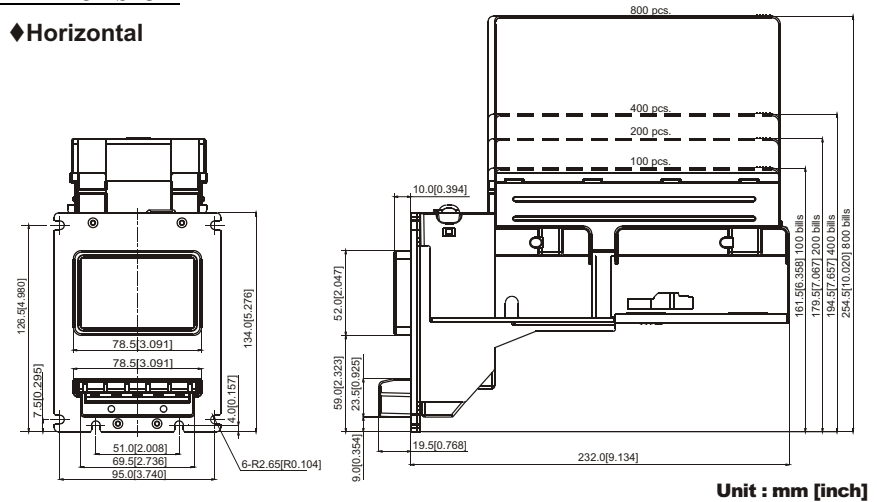
Bill Acceptor

### Accessory

Harnesses: see Page.3  
 A7/V7 Installation Guide  
 A7/V7 DIP Switch Setting Guide

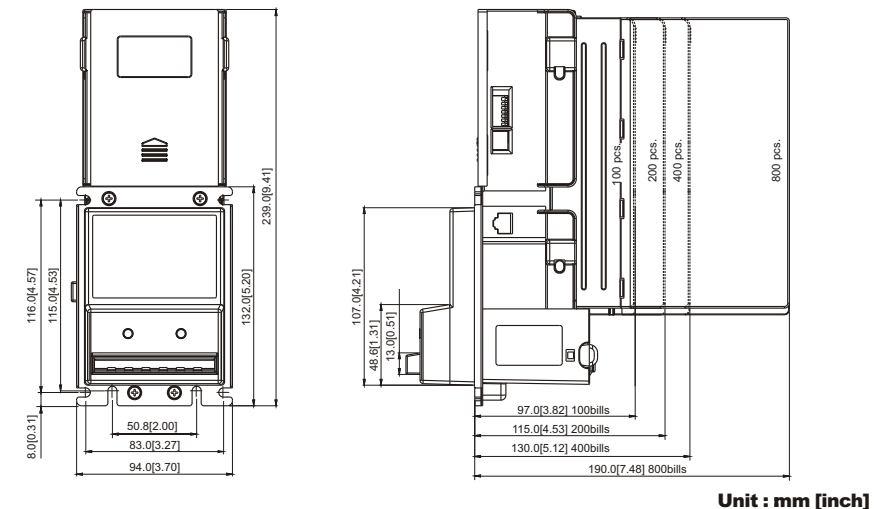
## 4. Dimension

### ◆Horizontal



Unit : mm [inch]

### ◆Vertical



Unit : mm [inch]

## 5. Installation

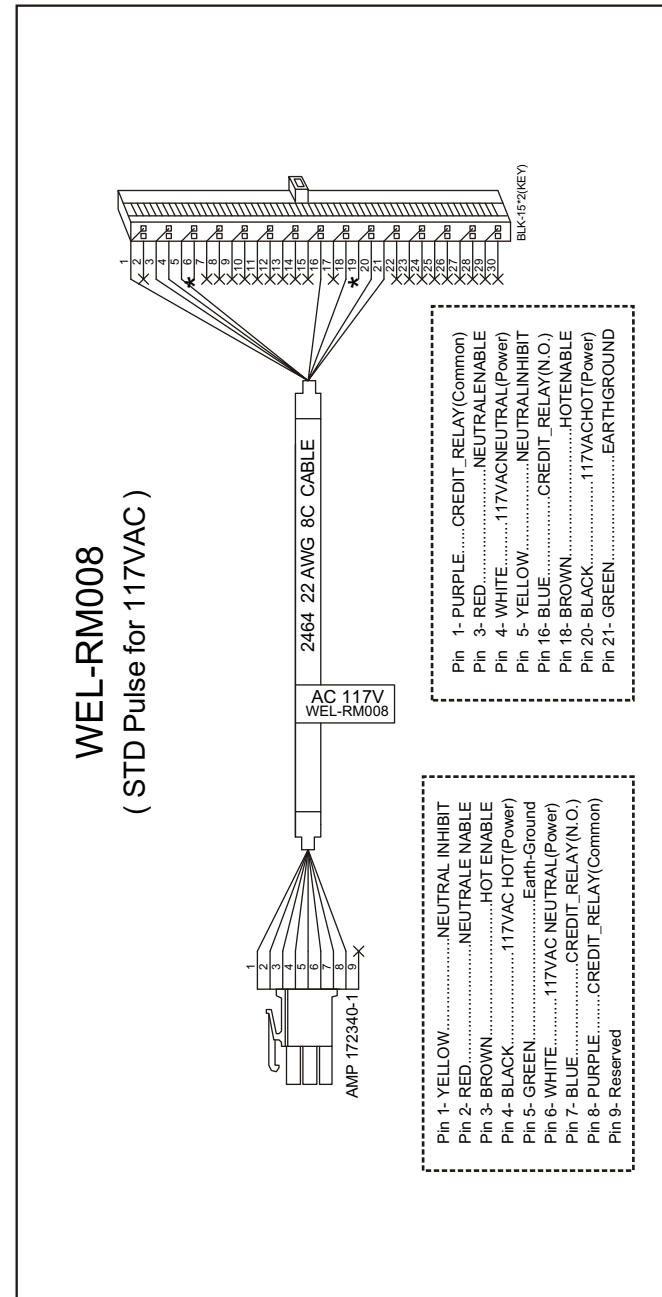
### 5-1. Harness Application

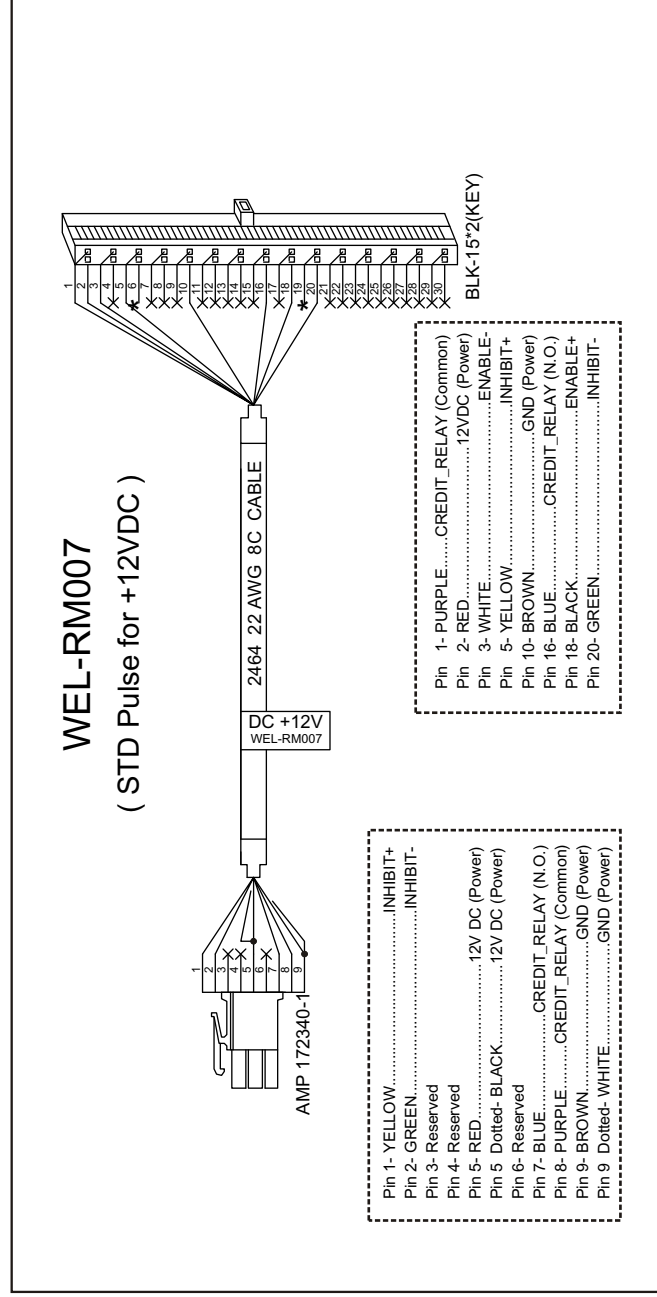
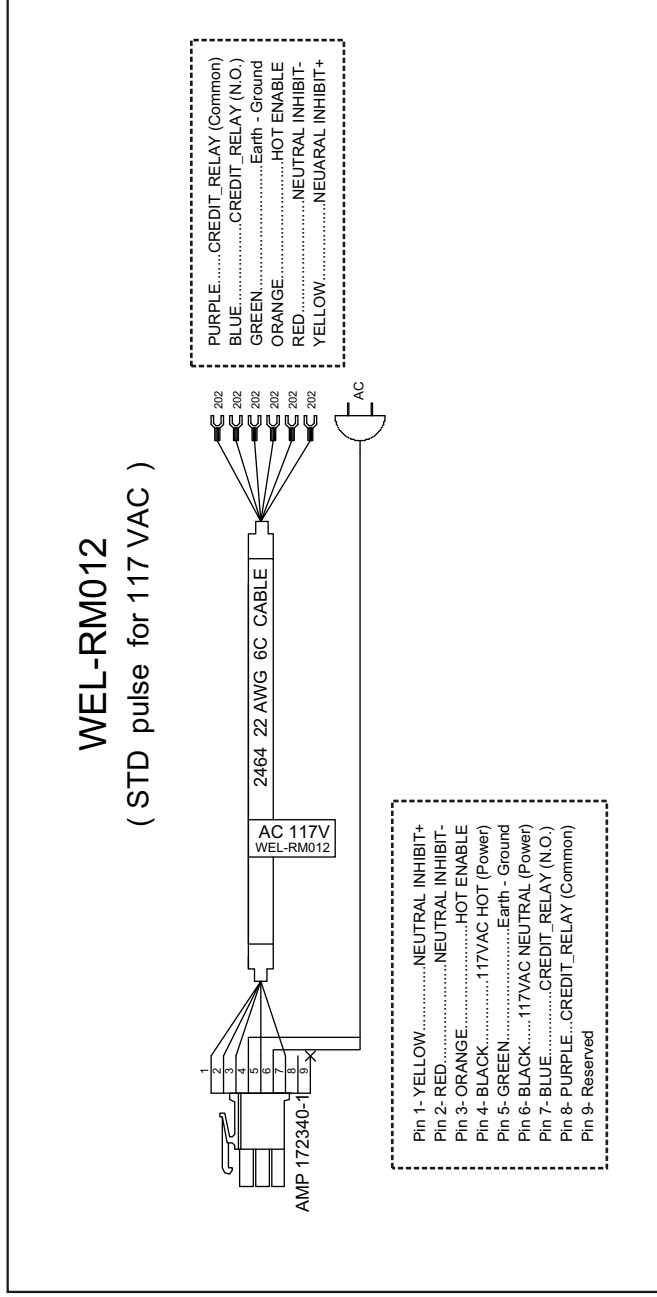
Bill Acceptor:

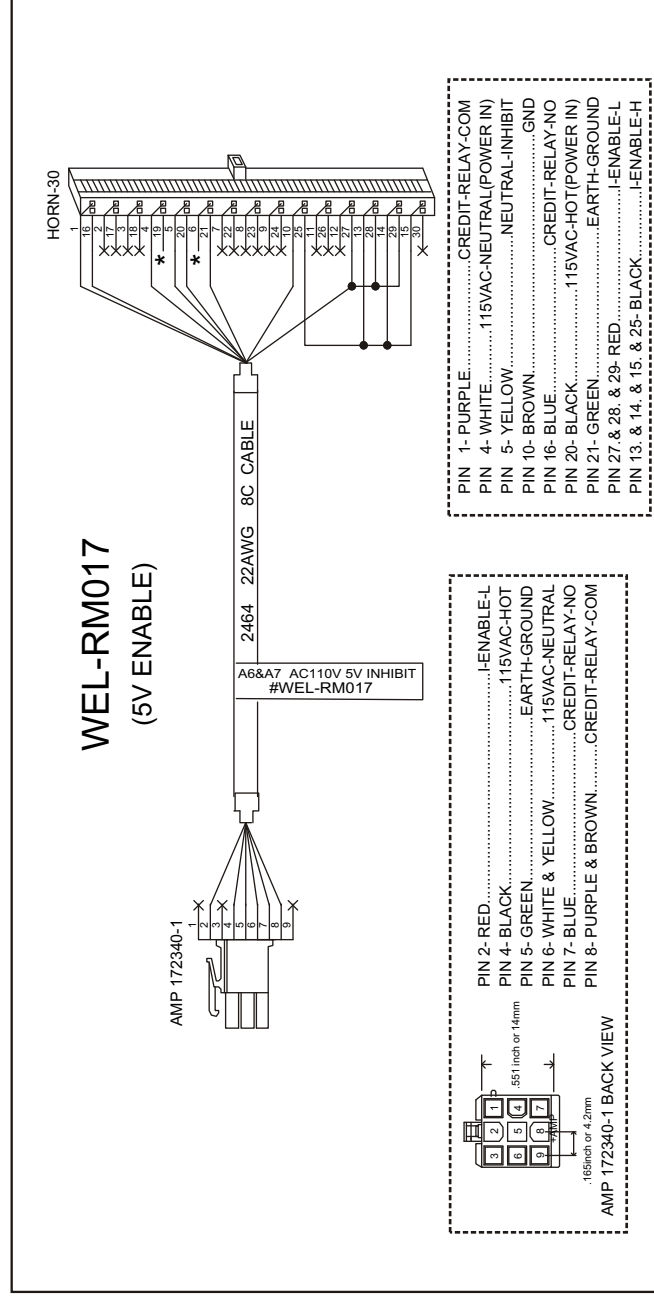
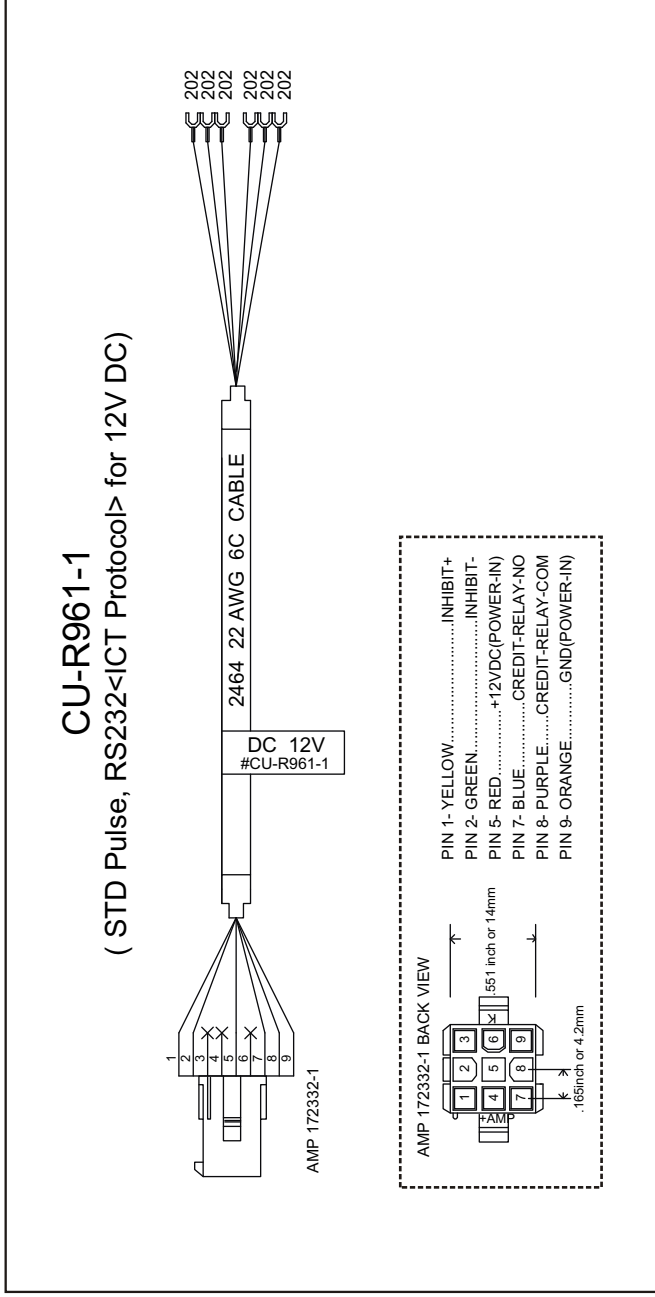
Mode	Interface	Used Voltage	Cable No.	Page
A7	STD Pulse	117V AC	WEL-RM008	4
			WEL-RM012	5
		12V DC	WEL-RM007	6
			CU-R961-1	7
	5V ENABLE	117V AC	WEL-RM017	8
			WEL-RM018	9
	RS232 for ICT Protocol	12V DC	WEL-RM007	6
			CU-R961-1	7
			WEL-RV706	10
		117V AC	WEL-RM008	4
WEL-RM012			5	
WEL-RV706			10	
V7	STD Pulse	12V DC	WEL-RV701	11
			CU-R961-1	7
		24V AC	WEL-RV702	12
			WEL-RV703	13
	MDB	34V DC	WEL-RM006	14
	RS232 for ICT Protocol	12V DC	WEL-RV701	11
			CU-R961-1	7
			WEL-RV706	10

Programmer (Refer to 5-3):

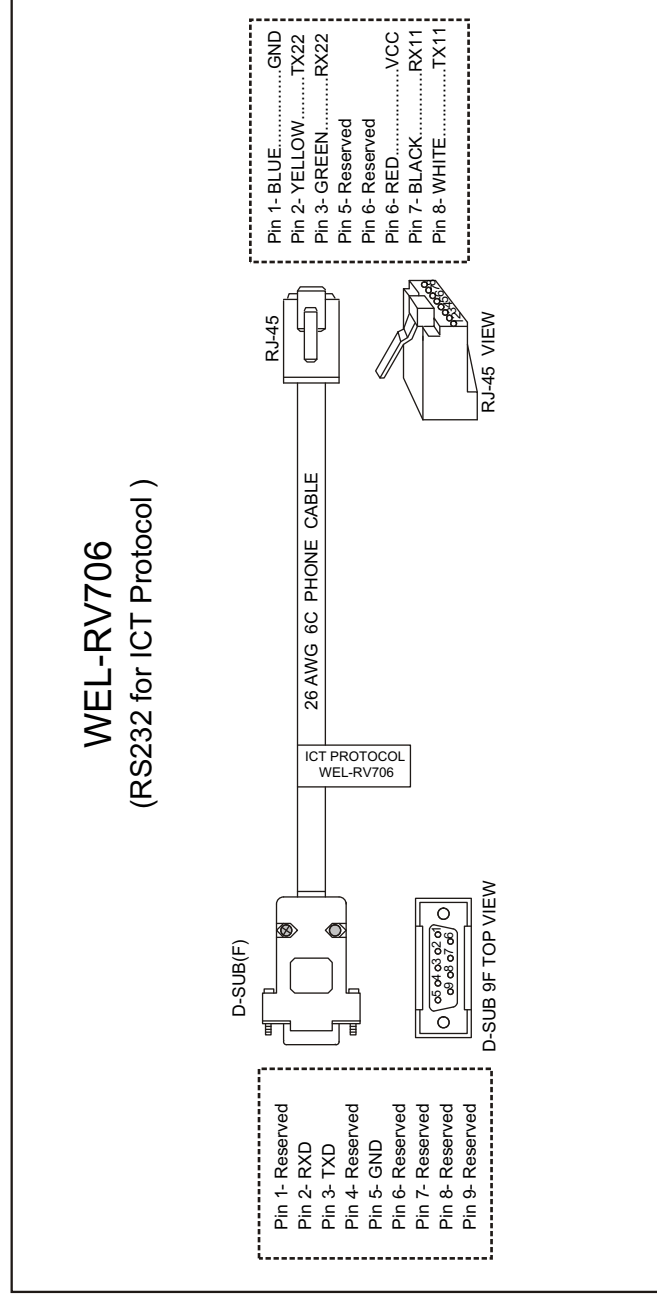
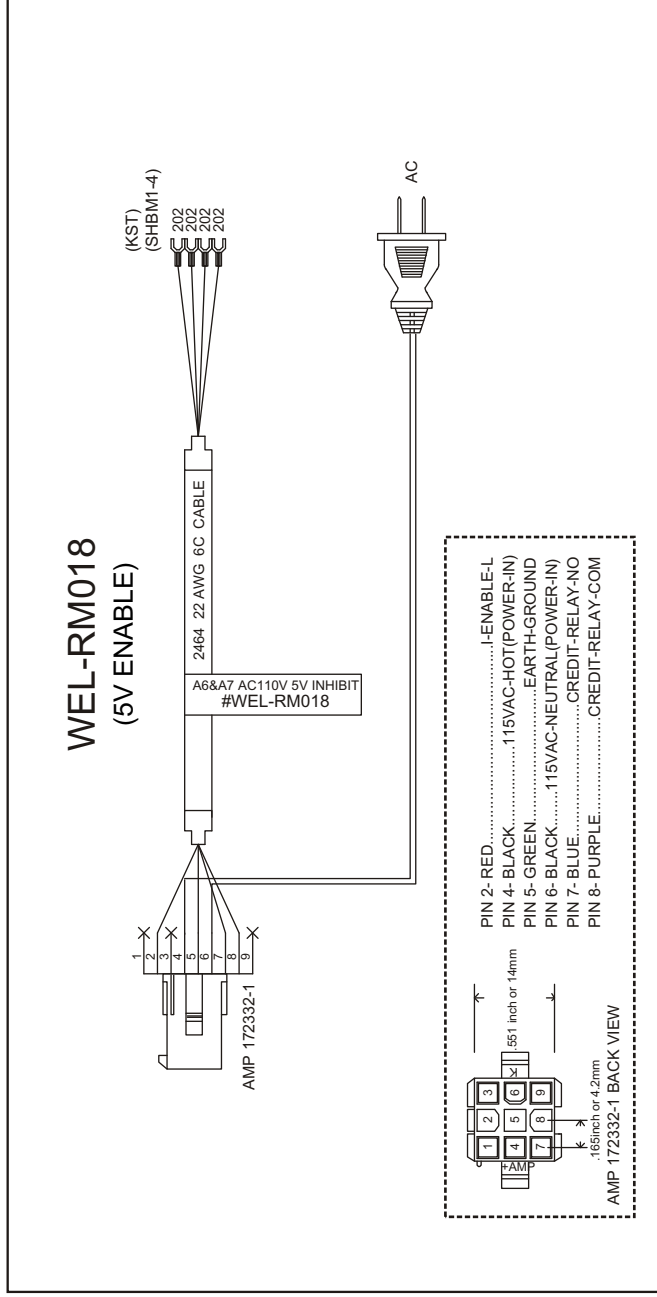
Model	Function	Harness	Page
FP-001	Download & Upgrade	WEL-RM009	15
		WEL-R087	16

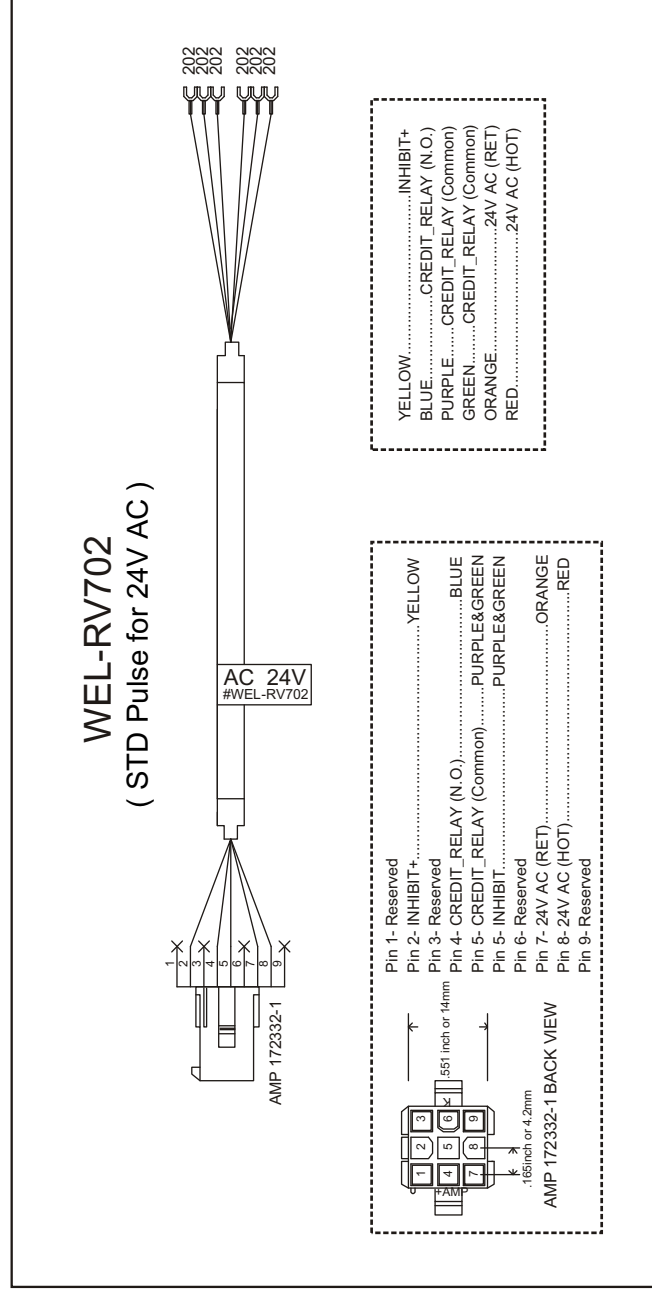
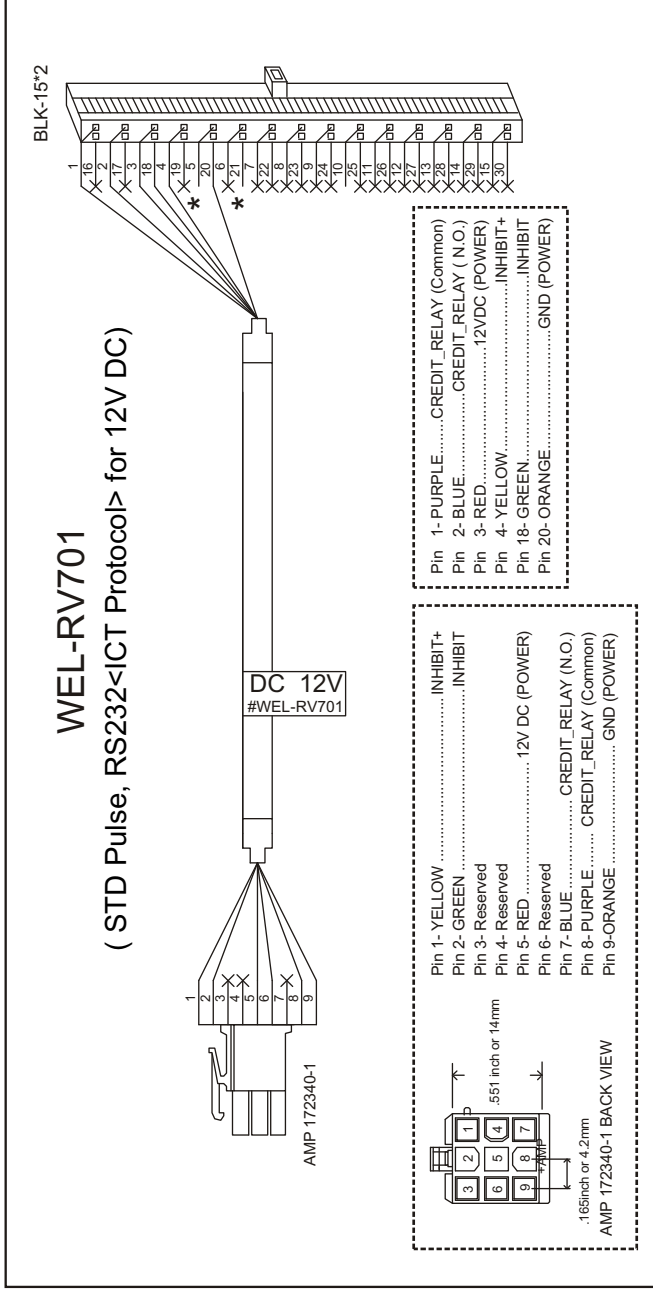


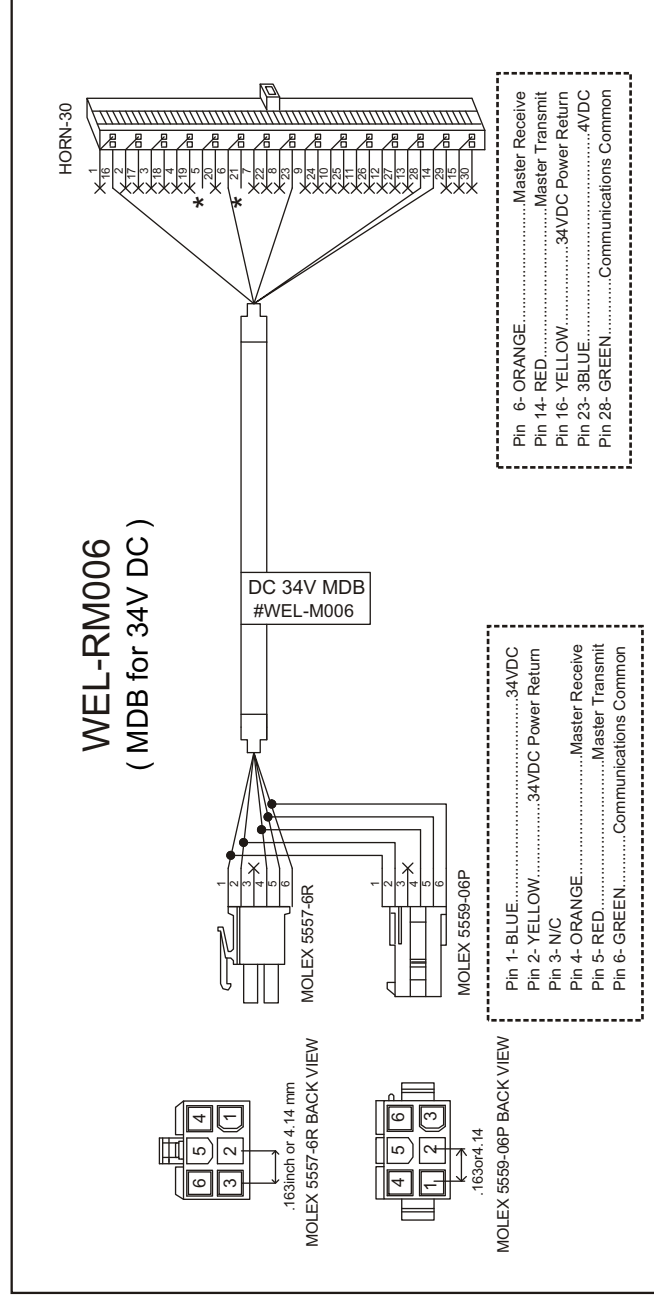
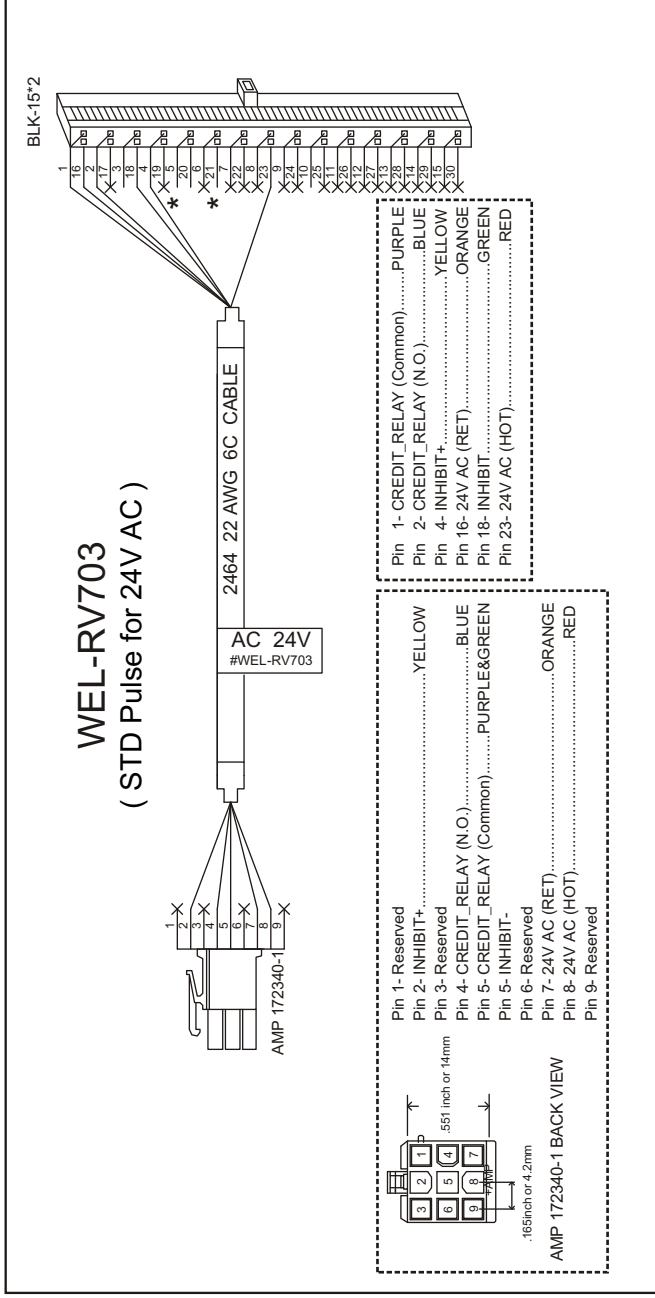


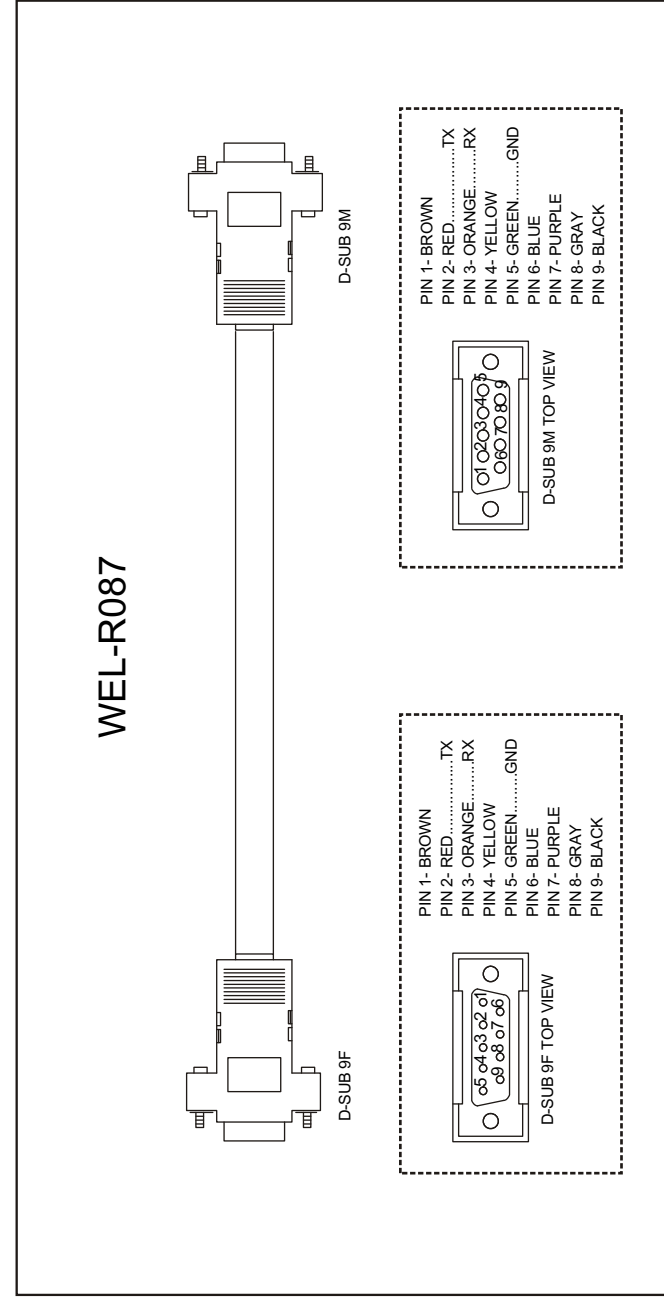
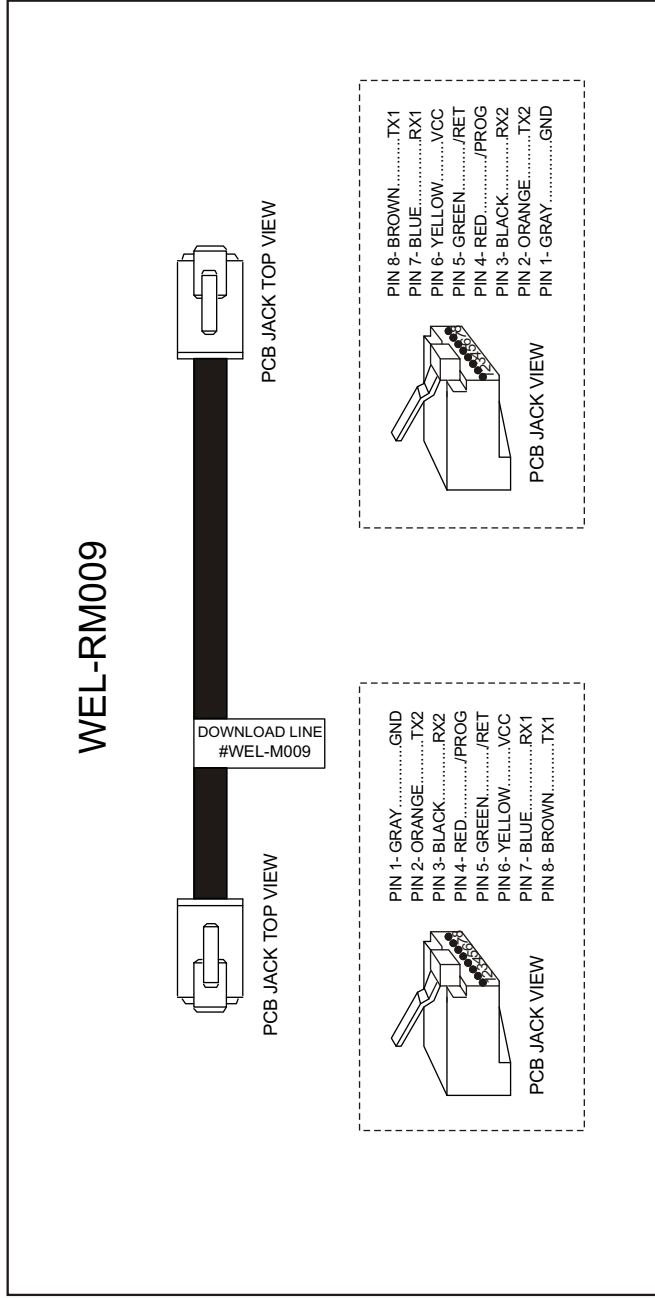






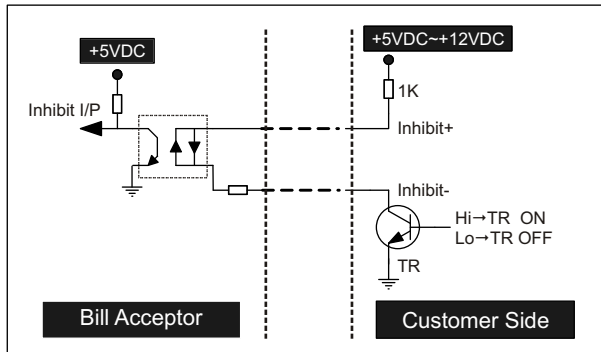
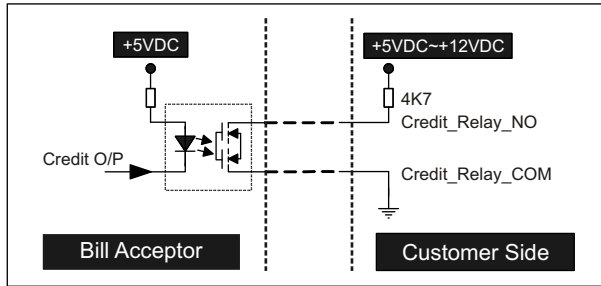




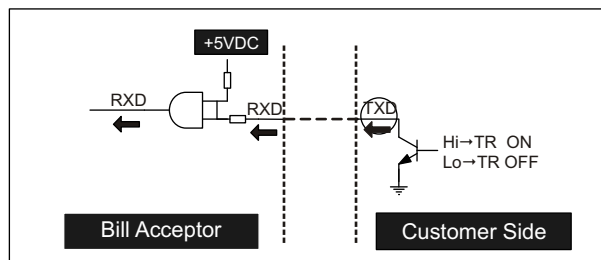
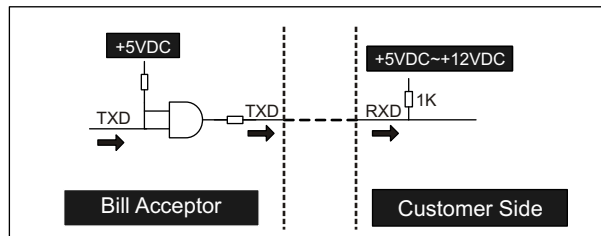


### 5-1-1. I/O Circuit

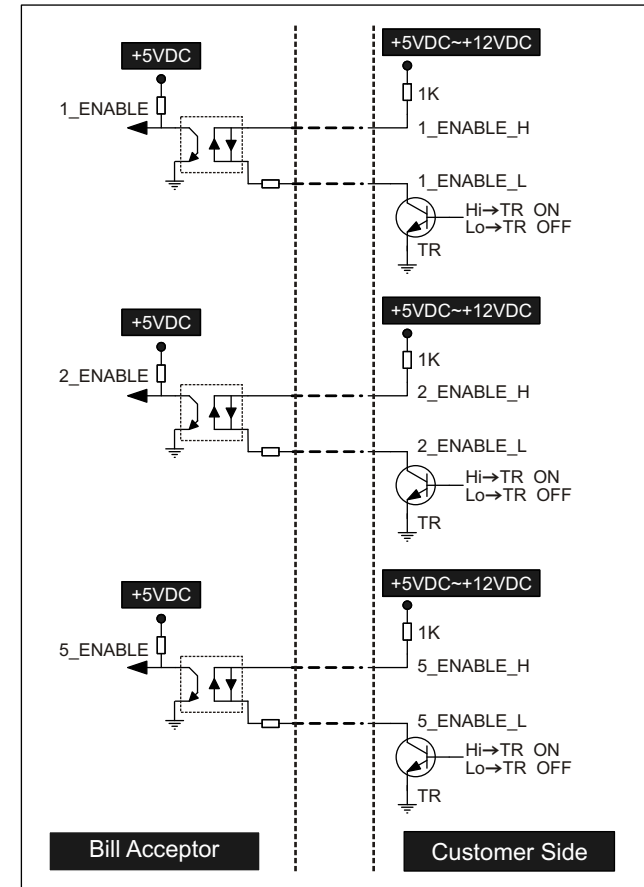
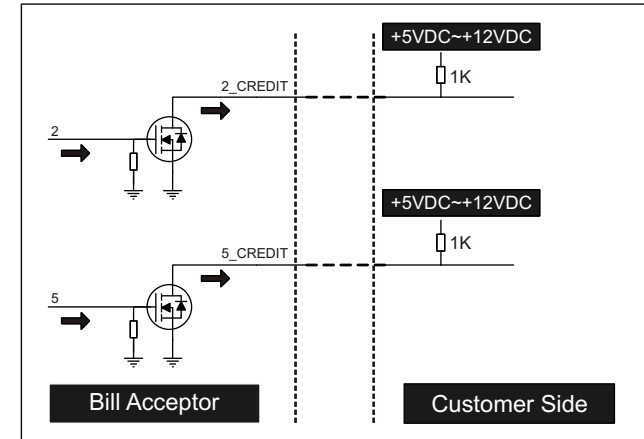
#### Pulse



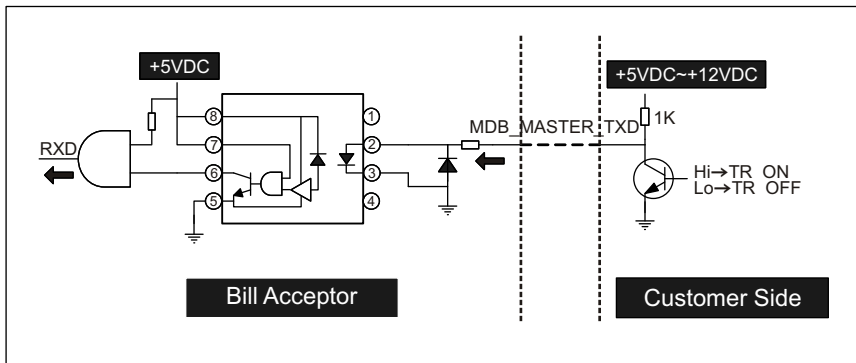
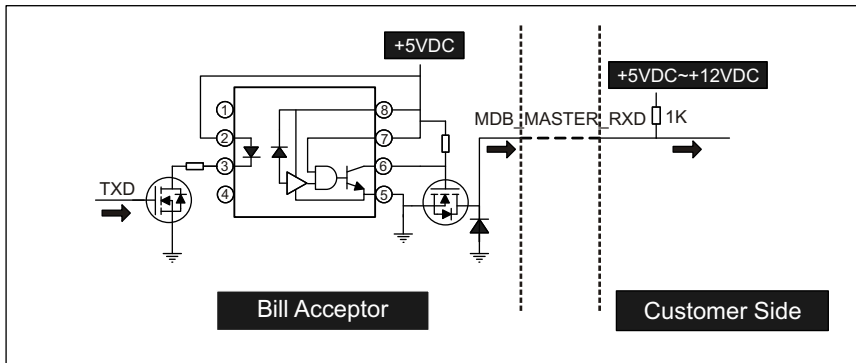
#### ICT-Protocol



#### 5V Enable



MDB

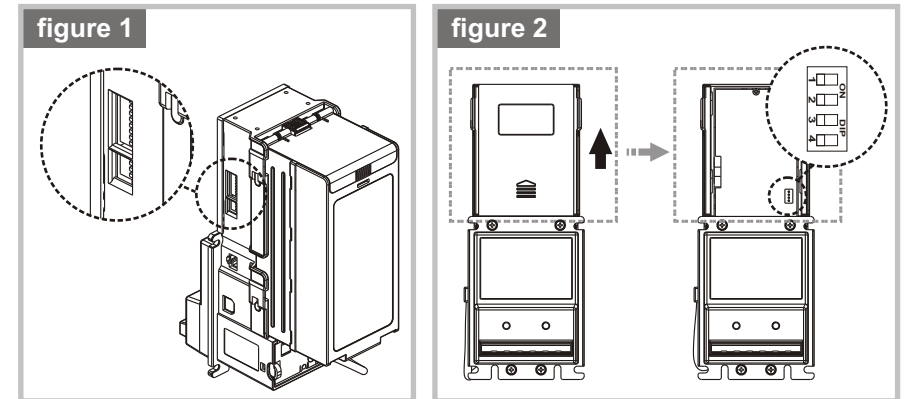


5-2. DIP Switch Setting

There are two serial DIP switches which are located on the side of A7V7 Series (as figure 1). According to different currencies which are used by users, DIP switch settings could be varied to fit users' need.

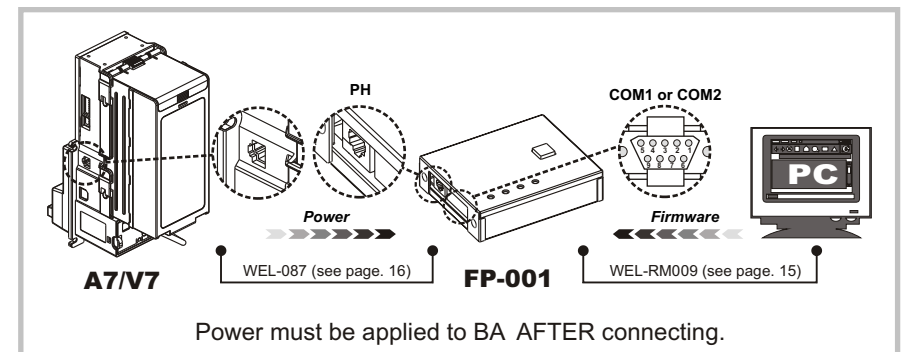
Besides, there's also a serial DIP switches on CPU board inside of A7V7 Series for interface settings.(as figure 2)

Please refer to "A7V7 Series DIP Switch Setting" Guide in the package for more detail.



5-3. Software Download and Upgrade

To download and upgrade the software to A7V7 Series, the programmer (FP-001) is needed. Please contact ICT to purchase FP-001 and refer to FP-001 user guide for software download and upgrade information.

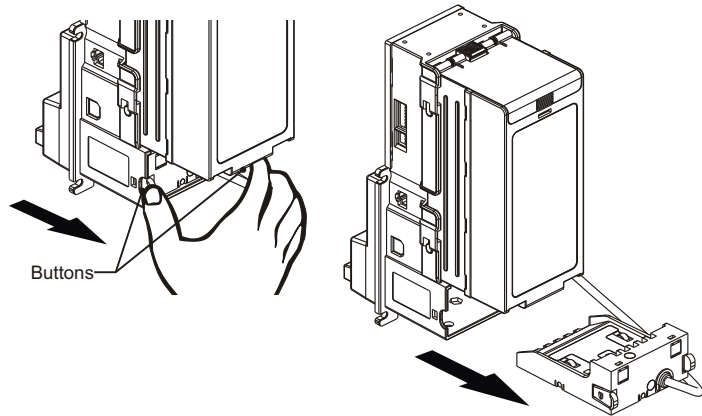


## 6. Maintenance

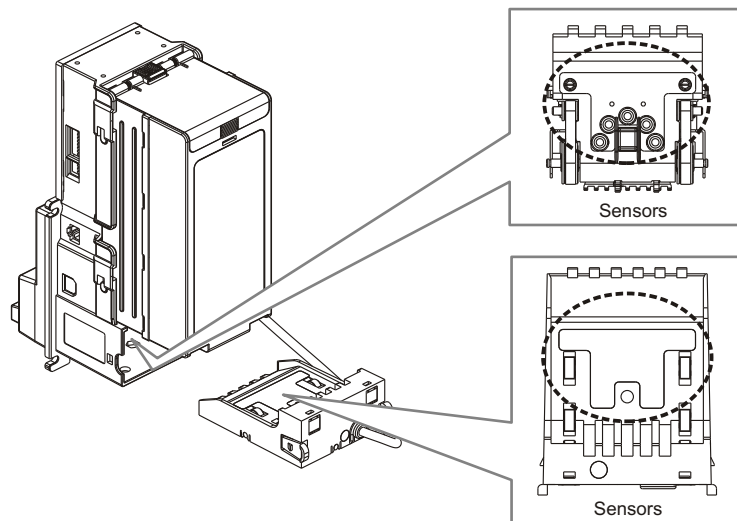
To make sure the bill acceptor always works smoothly, please clean the internal parts every two weeks to every two months.

To clean the internal parts:

1. Press the buttons on the sides of bill path unit and pull the unit out.

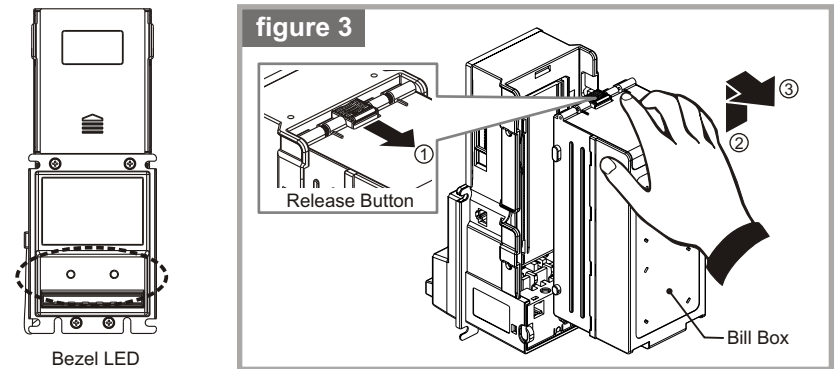


2. Use a soft, dry cloth or towel to clean the bill path and sensors.



Do not use an organic solvent such as gasoline or paint thinner to clean the unit.

## 7. Trouble Shooting



LED Flashes	Status	Corrective Actions
1	Bill jammed.	Remove the bill box by sliding the top button and the bill path unit (as figure 3), and then remove the jammed bill.
3	Recognition sensor error.	Inspect for foreign objects on sensor or bill path and clean.
3+2	Hook sensor error.	Inspect for foreign objects on security hook and clean.
3+5 (Optional)	Out sensor error.	Inspect for foreign objects on sensor or bill path and clean.
2	Disable	Inspect for right DIP switch setting.
4	Anti-string sensor error or a stringing attempt has detected.	Inspect for foreign objects on sensor or bill path and clean.
5	Bill box has been removed.	Replace the bill box.
6	Stacker error or stacker full.	Empty the bill box.
7	Motor error.	Inspect for foreign objects on bill path and clean.



If the error can not be solved after corrective actions or happen again, please contact ICT for technical support.