



CashCode®

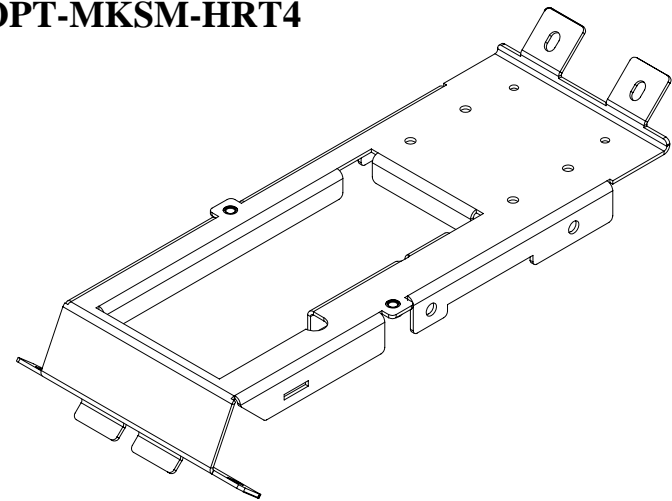
SM Bill Validator

User's Guide

A division of **CRANE** PAYMENT SOLUTIONS

SM Mounting Bracket

Part No.: OPT-MKSM-HRT4



ENCLOSURE:
SM Mounting Bracket
User's Guide
Mounting kit for SM Mounting Bracket Part# OPT-MKSM-T8



CashCode®

A division of **CRANE** PAYMENT SOLUTIONS

2720 Steeles Avenue West, Units 2-3, Concord, ON, Canada, L4K 4S3

TEL: (905) 303-8874, 1(800)-584-2633

FAX: (905) 303-8875, 1(800)-593-2633

Web Address: www.cashcode.com

Email: support@cashcode.com

Installation Horizontal SM Bill Validator To Mounting Bracket with use of Mounting Kit OPT-MKSM-T8

