



CashCode®

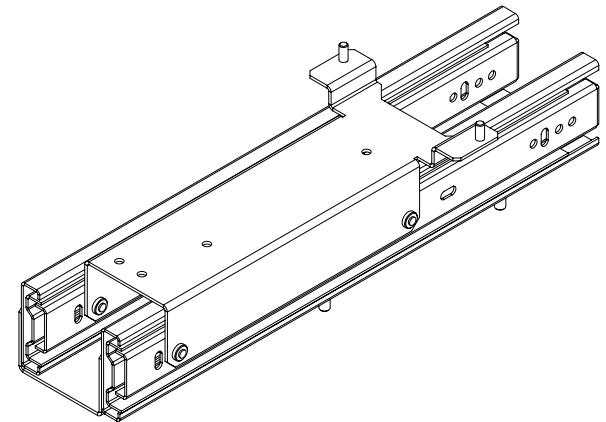
SM Bill Validator

User's Guide

A division of **CRANE** PAYMENT SOLUTIONS

SM Telescopic Bracket

Part No.: OPT-MKSM-HRT3



ENCLOSURE:

SM Telescopic Bracket

User's Guide

Mounting kit for SM Telescopic Bracket & Validator: Part# OPT-MKSM-T5

Mounting kit for SM Telescopic Bracket & Vending Machine: Part# OPT-MKSM-T6



CashCode®

A division of **CRANE** PAYMENT SOLUTIONS

2720 Steeles Avenue West, Units 2-3, Concord, ON, Canada, L4K 4S3

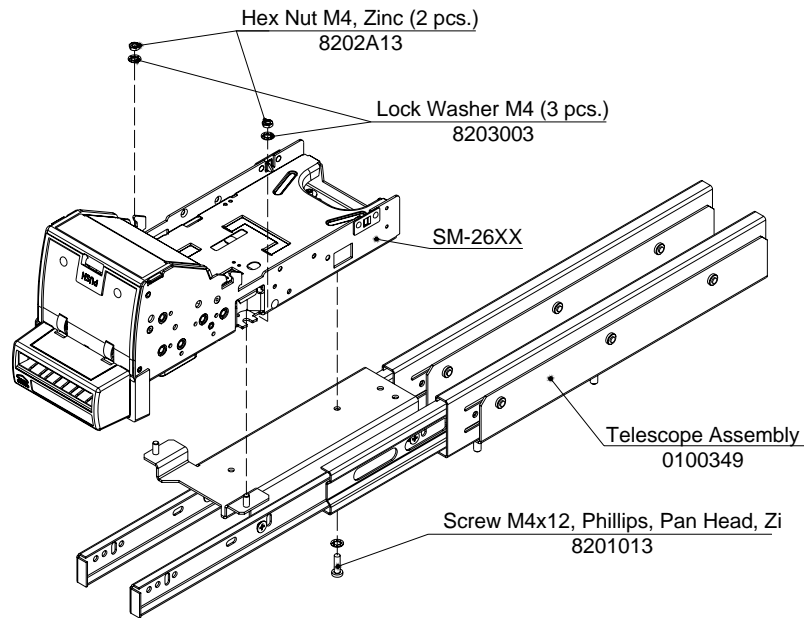
TEL: (905) 303-8874, 1(800)-584-2633

FAX: (905) 303-8875, 1(800)-593-2633

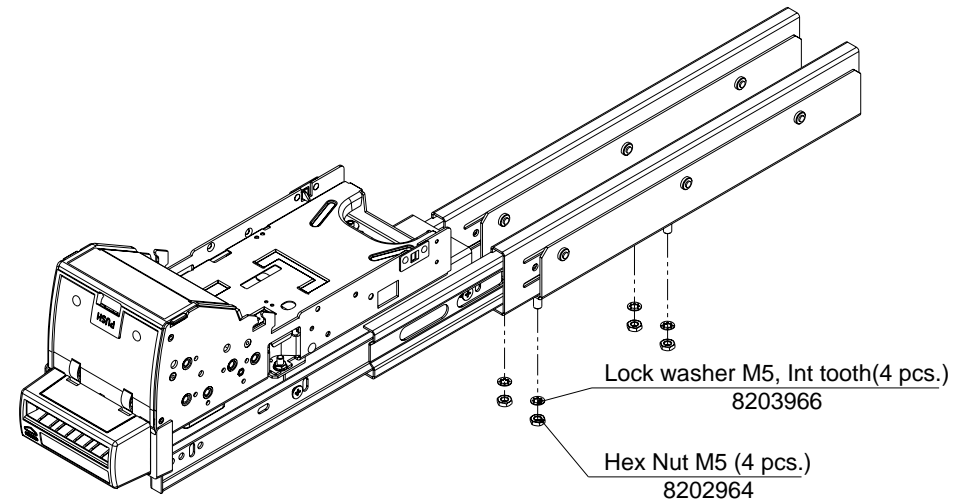
Web Address: www.cashcode.com

Email: support@cashcode.com

Installation Horizontal SM Bill Validator to Telescopic Bracket with use of Mounting Kit OPT-MKSM-T5



Installation Horizontal SM Bill Validator and Telescopic Bracket to Vending Machine with use of Mounting Kit OPT-MKSM-T6



Nylon Cable Ties
8207881

To eliminate occasional
disconnection of the cable use
cable Flat Tie as shown on the
picture.

