



CashCode®

SM Bill Validator

User's Guide

A division of **CRANE** PAYMENT SOLUTIONS

SM Bracket Set

Part No.: OPT-MKSM-HRT2

ENCLOSURE:

SM Bracket Set (2 Bracket and Faceplate)

User's Guide

Mounting kit for SM Bracket Set & Validator: Part# OPT-MKSM-T3

Mounting kit for SM Bracket Set & Vending Machine: Part# OPT-MKSM-T4

SM Bill Validator not included



CashCode®

A division of **CRANE** PAYMENT SOLUTIONS

2720 Steeles Avenue West, Units 2-3, Concord, ON, Canada, L4K 4S3

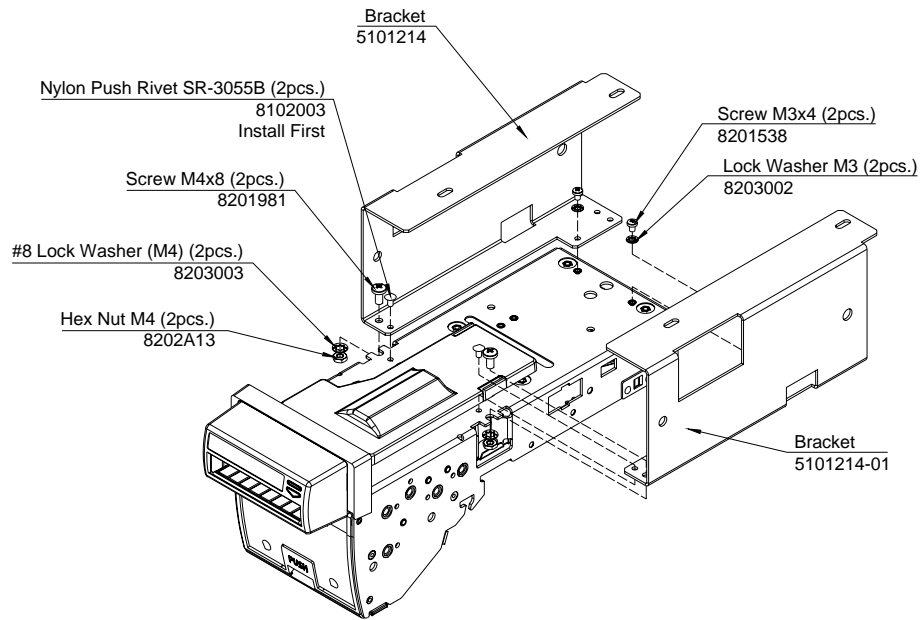
TEL: (905) 303-8874, 1(800)-584-2633

FAX: (905) 303-8875, 1(800)-593-2633

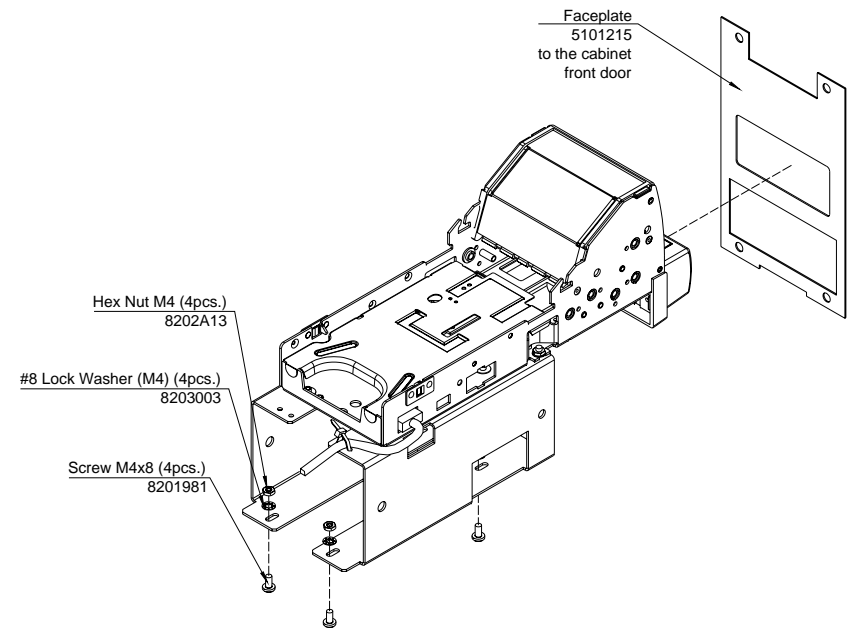
Web Address: www.cashcode.com

Email: support@cashcode.com

Installation Horizontal SM Bill Validator to SM Bracket Set with use of Mounting Kit OPT-MKSM-T3



Installation Horizontal SM Bill Validator and SM Bracket Set to Vending Machine with use of Mounting Kit OPT-MKSM-T4



**To eliminate occasional
disconnection of the cable use
cable Flat Tie as shown on the
picture.**

