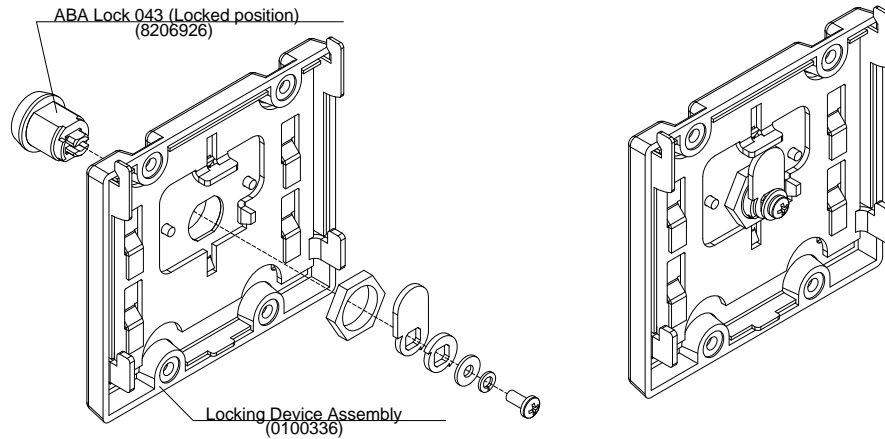


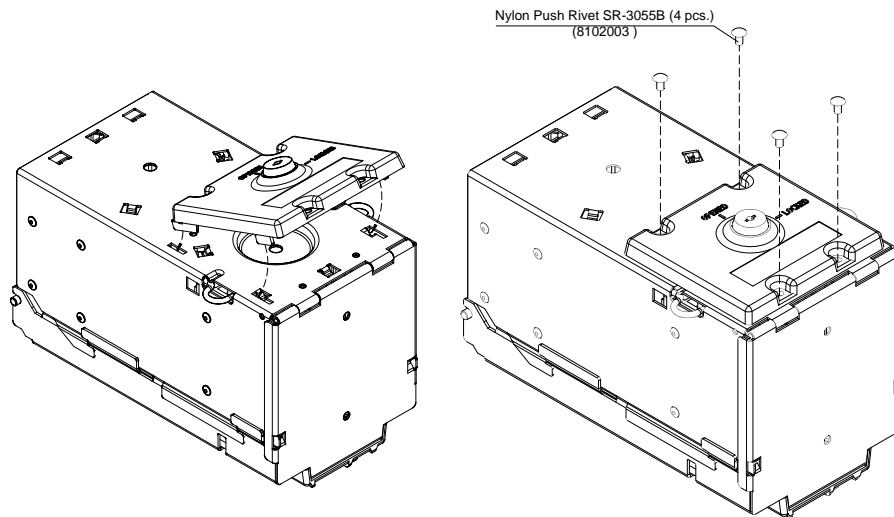
Vault Security Locks Installation Instruction for Regular Cassette

1. Installation of the Outside Security Lock with Mounting Kit OPT-MKCST-SL1

1. Assemble lock parts into kit as indicated:

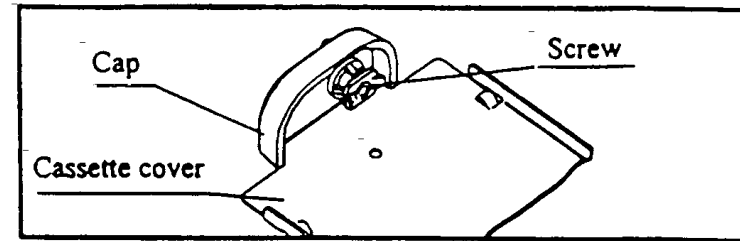


2. Fasten lock kit to the cassette.

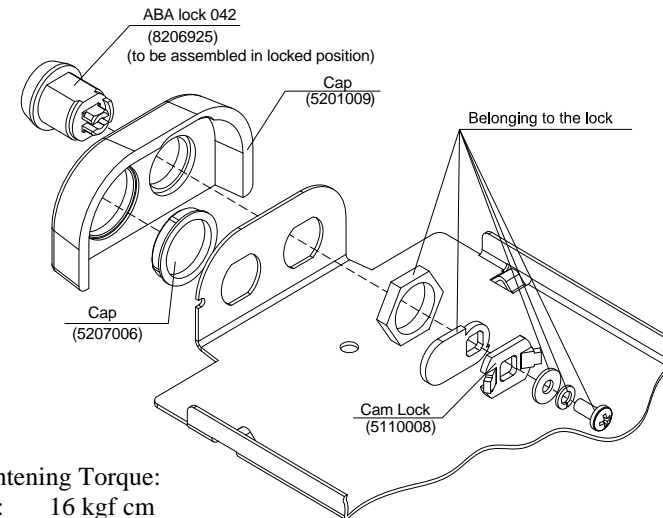


2. Installation of the Inside Security Lock

1. Remove the screw and disassemble the cap of the cassette cover.



2. Assemble the cassette cover and the cap with the lock as shown at the picture. Pay your attention on the orientation of the lock and its cam.



Tightening Torque:
Nut: 16 kgf cm
Screw: 5-7 kgf cm



Crane Payment Solutions
CashCode Brand

2720 Steeles Avenue West, Units 2-3, Concord, ON Canada L4K 4S3
Phone: (905) 303-8874 Toll Free: (800) 584-2633 Fax: (905) 303-8875
www.craneps.com <http://support.cashcode.com>

Vault Security Locks Installation Instruction for Gaming Cassette

1. Open the cassette
2. Remove screw #1 (M3x6) and washer #2 (Fig. 1).
3. Remove screws #3 (M3x4) and washers #4 (Fig. 1).
4. Remove faceplate #5 from the cassette cover #6.
5. Mount the locks and the cams #7 and #8 into faceplate #5 as shown in Fig.2.
6. Mount the faceplate #5 back to its original place (first insert tabs of the faceplate into the holes of the cassettes cover then lock it with the screw #1 and washer #2, screws #3 and washers #4) (Fig.3)

IMPORTANT!

Lock Specification:

- Locks should be $\frac{3}{4}$ " DIA size
- Locks should be $1\frac{1}{16}$ " to $1\frac{1}{8}$ " length (distance from mounting surface to the cam)
- The angle between the locked and unlocked position of the cam should be 90 degrees in any rotation.

Pay attention to cam #8 orientation for left- and right-open locks.

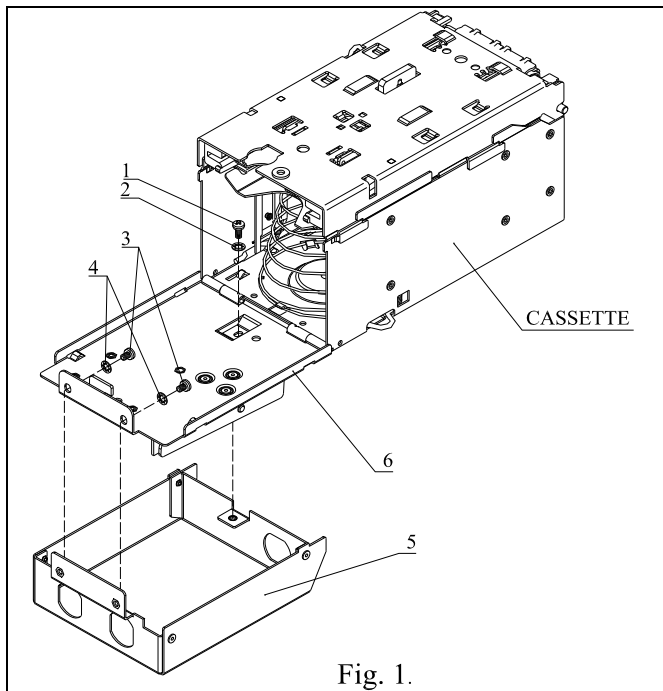


Fig. 1.

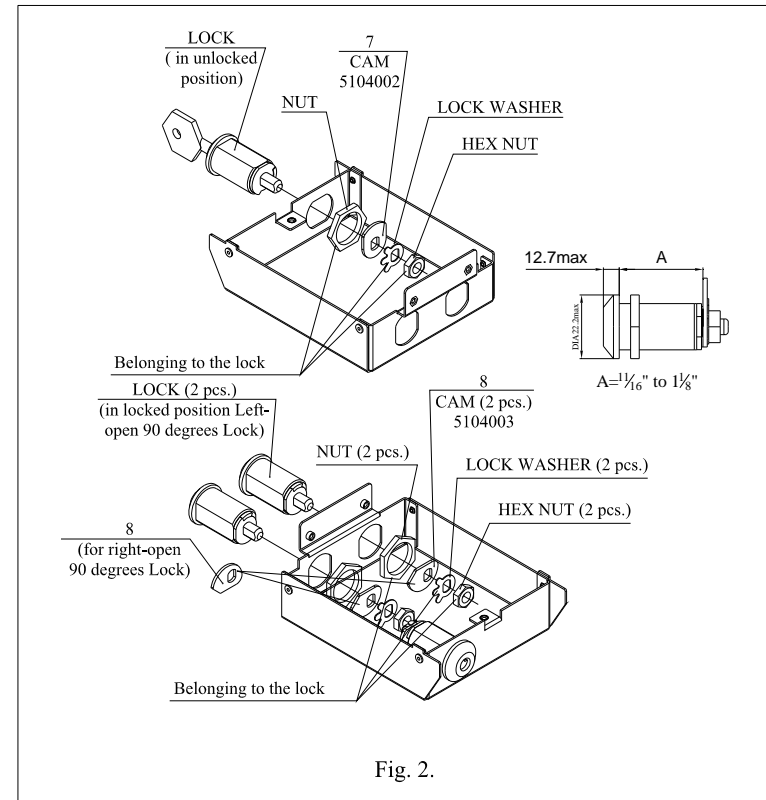


Fig. 2.

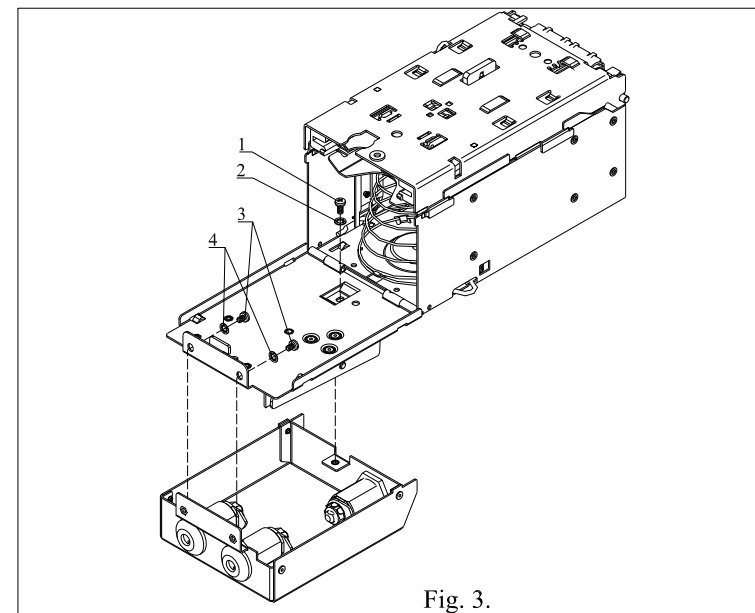


Fig. 3.